

# PX04S 30-500, iC-PX3212

## iC-PX Encoder Disc and Code Description

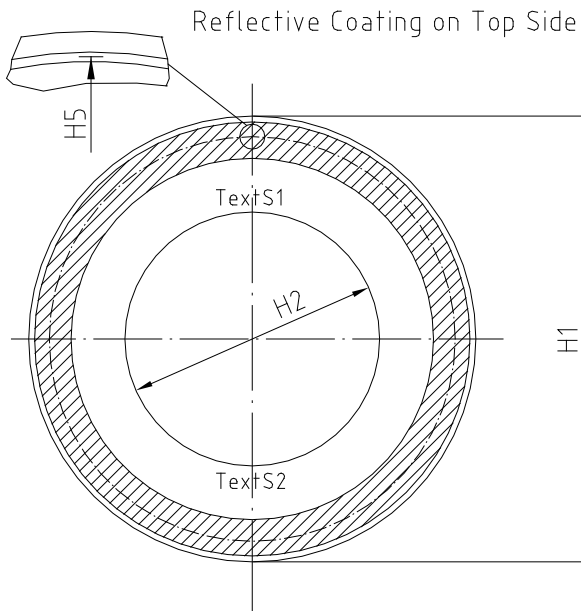


Rev A1, Page 1/2

### ORDERING INFORMATION

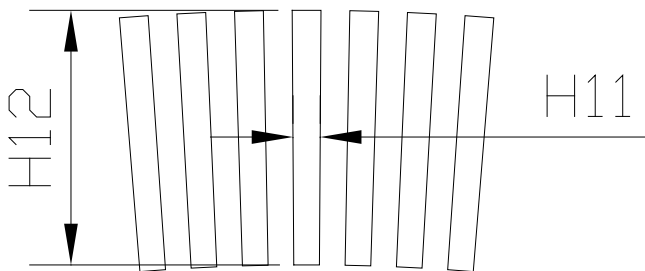
Type	Order Designation	Description/Options
Encoder Disc	PX04S# 30-500 (#: Material)	Code Disc 500 PPR, dia 30 mm

### PHYSICAL DIMENSIONS: Code Disc



Item	Parameter	[mm]
H1	Outer Diameter	30.0
H2	Inner Diameter	22.0
H3	Thickness	tbd.
H5	Radius of Paddle Center	12.770
H6	Radius of Middle of AB Tracks	13.350
H9	Text S1	PX04S#
H10	Text S2	30-500

### TRACK LAYOUT: Code Disc



Item	Parameter	[um]
H11	AB-Track Width	83.8
H12	AB-Track Height	2000.0

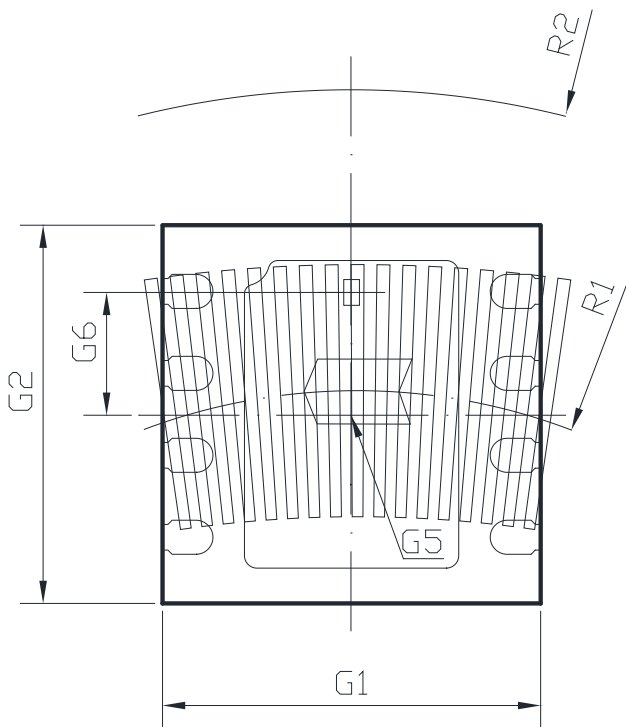
# PX04S 30-500, iC-PX3212

## iC-PX Encoder Disc and Code Description



Rev A1, Page 2/2

### LAYOUT: System



Item	Parameter	[mm]
G0	Name and Design Release	iC-PX3212
G1	Width	3.0
G2	Height	3.0
G3	Window Width	1.65
G4	Window Height	0.85
G5	Radius of Paddle Center	12.770
G6	Paddle Center vs. LED Center	0.965
R1	Optical Radius AB-Track	13.350
R2	Disc Outer Edge	15.00

iC-Haus expressly reserves the right to change its products and/or specifications. An info letter gives details as to any amendments and additions made to the relevant current specifications on our internet website [www.ichaus.com/infoletter](http://www.ichaus.com/infoletter); this letter is generated automatically and shall be sent to registered users by email.

Copying – even as an excerpt – is only permitted with iC-Haus' approval in writing and precise reference to source.

iC-Haus does not warrant the accuracy, completeness or timeliness of the specification and does not assume liability for any errors or omissions in these materials.

The data specified is intended solely for the purpose of product description. No representations or warranties, either express or implied, of merchantability, fitness for a particular purpose or of any other nature are made hereunder with respect to information/specification or the products to which information refers and no guarantee with respect to compliance to the intended use is given. In particular, this also applies to the stated possible applications or areas of applications of the product.

iC-Haus products are not designed for and must not be used in connection with any applications where the failure of such products would reasonably be expected to result in significant personal injury or death ("Safety-Critical Applications") without iC-Haus' specific written consent. Safety-Critical Applications include, without limitation, life support devices and systems. iC-Haus products are not designed nor intended for use in military or aerospace applications or environments or in automotive applications unless specifically designated for such use by iC-Haus.

iC-Haus conveys no patent, copyright, mask work right or other trade mark right to this product. iC-Haus assumes no liability for any patent and/or other trade mark rights of a third party resulting from processing or handling of the product and/or any other use of the product.