

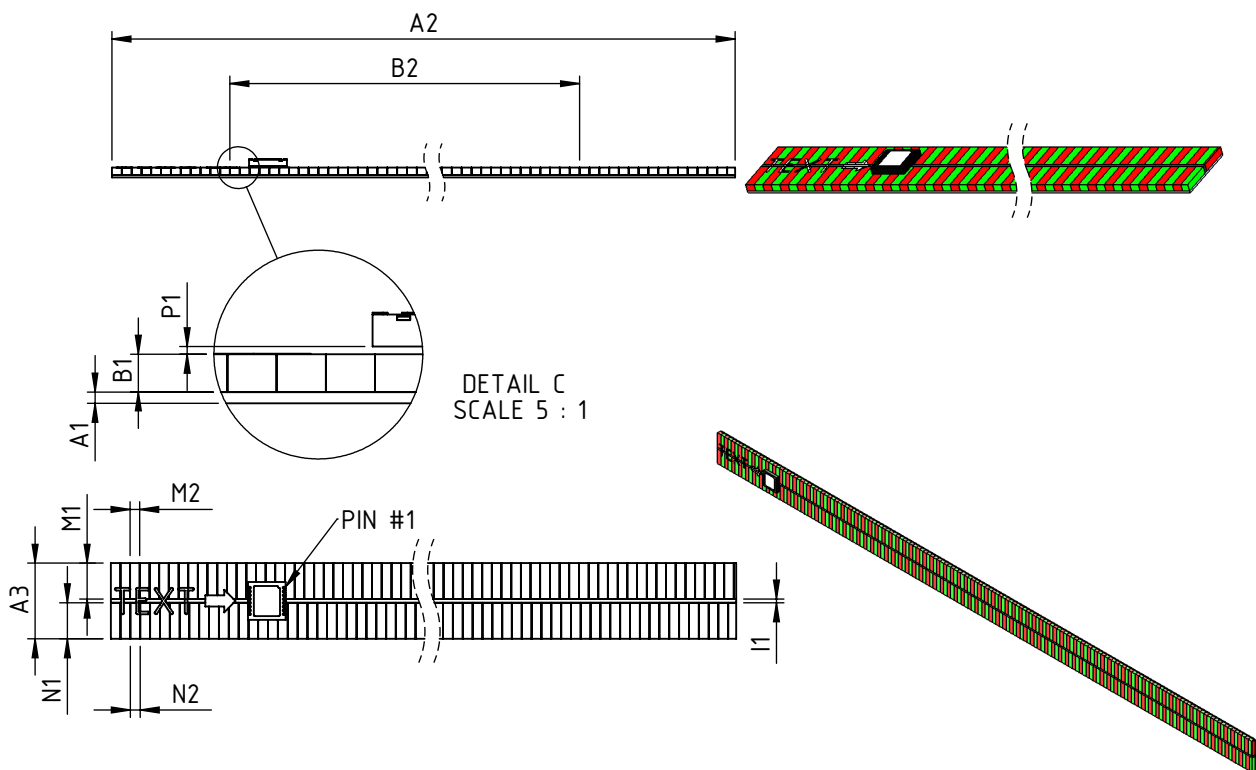
# MU3L 164-64N

## iC-MU MAGNETIC TAPE DESCRIPTION

### ORDERING INFORMATION

Type	Order Destination	Description/Options
Magnetic tape	MU3L 164-64N	2-track nonius magnetic tape Number of pole pairs: master 64, nonius 63 Total length 200 mm Absolute measurement range: 163.84 mm Carrier material: steel 1.4310K2

### TAPE DIMENSIONS



drb\_mu3l\_pack2, 1:1

<TEXT> indicates tape orientation. When readable the master track is the upper track.

# MU3L 164-64N

## iC-MU MAGNETIC TAPE DESCRIPTION



Rev A2, Page 2/3

### ABSOLUTE MAXIMUM RATINGS

Beyond these values damage may occur; device operation is not guaranteed.

Item No.	Symbol	Parameter	Conditions			Unit
				Min.	Max.	
G001	Bext	Maximum External Magnetic Field Strength		-20	20	mT

### THERMAL DATA

Operation conditions: No changes of the magnetic characteristics

Item No.	Symbol	Parameter	Conditions				Unit
				Min.	Typ.	Max.	
T01	Ta	Operating Ambient Temperature Range		-40		100	°C

### DIMENSION TABLE

Item No.	Parameter	Comments					Unit
			Min.	Typ.	Max.	Tolerance	
<b>Physical Dimensions Carrier</b>							
A1	Carrier Height			0.30			mm
A2	Carrier Length			200.0			mm
A3	Carrier Width			10.0		±0.15	mm
<b>Physical Dimensions Magnetic Coating</b>							
B1	Thickness of Magnetic Material			1.0			mm
B2	Measuring Distance			163.84			mm
<b>Physical Dimensions non magnetized Area</b>							
l1	Space between magnetic Tracks			0.5			mm
<b>Magnetic Dimensions Master Track</b>							
M1	Width of Master Track			4.75			mm
M2	Pole Width of Master Track			1.28			mm
<b>Magnetic Dimensions Nonius Track</b>							
N1	Width of Nonius Track			4.75			mm
N2	Pole Width of Nonius Track			M2* <sup>64</sup> / <sub>63</sub>			mm
<b>Chip Position</b>							
P1	Distance Package Surface DFN16-5x5	referred to magnetic coating surface		0.4			mm
P2	Distance Sensor Surface (Bare Die)	referred to magnetic coating surface		0.8			mm
P3	Rotation of Chip	vs. magnetic master track		0.0			deg
<b>Magnetic Material Characteristics</b>							
Hc	Coercive Field Strength	at 20 °C		170			kA/m
Br	Remanence	at 20 °C		240			mT
TKB	Temperature Coefficient of the Remanence	temperature range -40 °C...100 °C		-0.2			%/K
Bpp	Magnetic Field Amplitude	at 0.8 mm effective distance (sensor to magnetic surface )	20				mT

# MU3L 164-64N

## iC-MU MAGNETIC TAPE DESCRIPTION



Rev A2, Page 3/3

### REVISION HISTORY

Rev	Notes	Pages affected
A1	Initial version	all
A2	Figure tape dimensions with embedded fonds	1

iC-Haus expressly reserves the right to change its products and/or specifications. An info letter gives details as to any amendments and additions made to the relevant current specifications on our internet website [www.ichaus.de/infoletter](http://www.ichaus.de/infoletter); this letter is generated automatically and shall be sent to registered users by email.

Copying – even as an excerpt – is only permitted with iC-Haus' approval in writing and precise reference to source.

iC-Haus does not warrant the accuracy, completeness or timeliness of the specification and does not assume liability for any errors or omissions in these materials.

The data specified is intended solely for the purpose of product description. No representations or warranties, either express or implied, of merchantability, fitness for a particular purpose or of any other nature are made hereunder with respect to information/specification or the products to which information refers and no guarantee with respect to compliance to the intended use is given. In particular, this also applies to the stated possible applications or areas of applications of the product.

iC-Haus conveys no patent, copyright, mask work right or other trade mark right to this product. iC-Haus assumes no liability for any patent and/or other trade mark rights of a third party resulting from processing or handling of the product and/or any other use of the product.