

# iC-MSA SIN/COS SIGNAL CONDITIONER with AGC and 1Vpp DRIVER



Rev A2, Page 1/31

## FEATURES

- ◆ PGA inputs for differential and single-ended sensor signals up to 20 kHz
- ◆ Selectable adaptation to voltage or current signals
- ◆ Flexible signal assignment due to input multiplexers
- ◆ Sine/Cosine signal conditioning for offset, amplitude and phase
- ◆ Separate index signal conditioning
- ◆ Short-circuit-proof and reverse polarity tolerant output drivers (1 Vpp to 100 Ω)
- ◆ Stabilized output signal levels due to automatic gain control
- ◆ Signal and system monitoring with configurable alarm output
- ◆ Supply voltage monitoring with integrated switches for reversed-polarity-safe systems
- ◆ Excessive temperature protection with sensor calibration
- ◆ I<sup>2</sup>C multi-master interface
- ◆ Supply from 4.3 to 5 V, operation within -40 °C to +115 °C
- ◆ Verifiable chip release code
- ◆ Pin compatible with iC-MSB

## APPLICATIONS

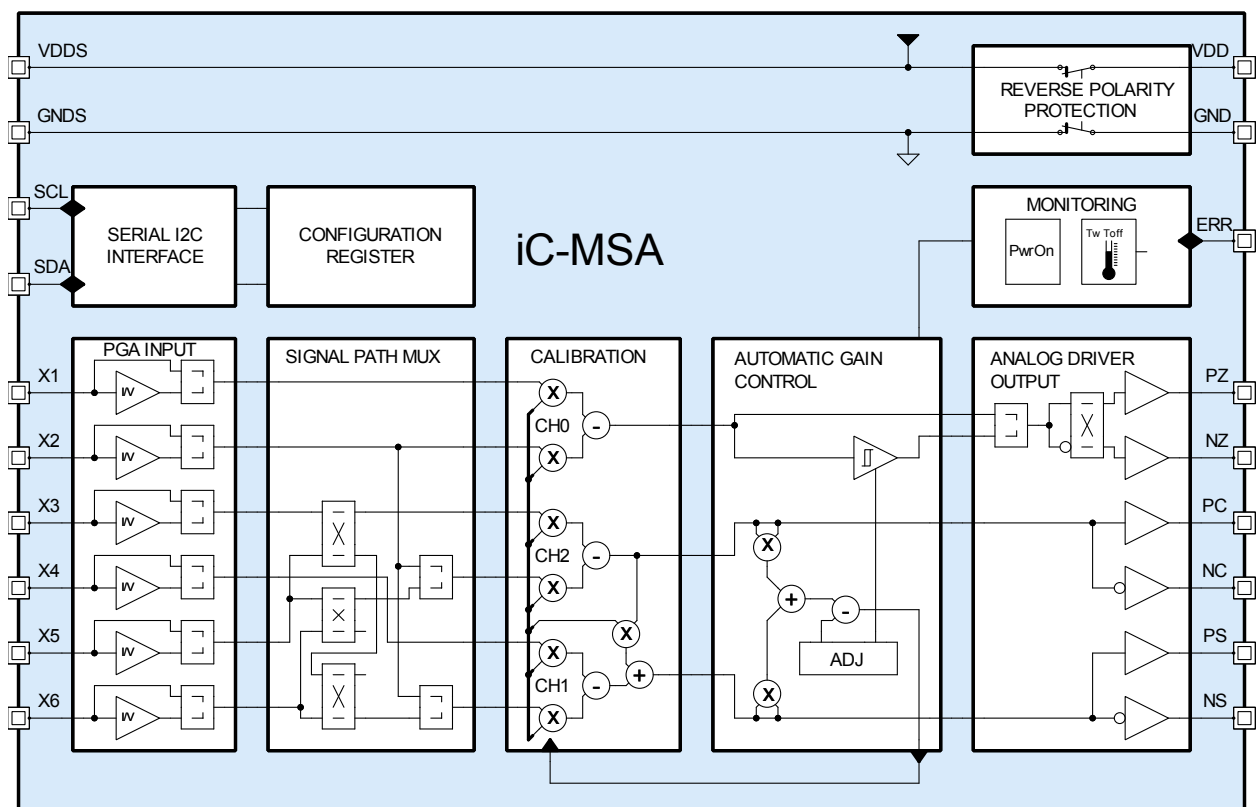
- ◆ Programmable sensor interface for optical and magnetic position sensors
- ◆ Linear gauges and incremental encoders
- ◆ Linear scales

## PACKAGES



TSSOP20-TP  
RoHS compliant

## BLOCK DIAGRAM



## DESCRIPTION

iC-MSA is a signal conditioner with line drivers for sine/cosine sensors which are used to determine positions in linear and angular encoders, for example.

Programmable instrumentation amplifiers with selectable gain levels permit differential or referenced input signals; at the same time the modes of operation differentiate between high and low input impedance. This adaptation of the iC to voltage or current signals enables MR sensor bridges or photosensors to be directly connected up to the device.

The integrated signal conditioning unit allows signal amplitudes and offset voltages to be calibrated accurately and also any phase error between the sine and cosine signals to be corrected. Separate zero signal conditioning settings can be made for the gain and offset; data is then output either as an analog or a differential square-wave signal (low/high level analogous to the sine/cosine amplitude).

For the stabilization of the output levels a signal is generated from the conditioned and calibrated input

signals which controls the gain of all channels. Temperature and aging effects can be compensated for and the set signal amplitude is maintained with absolute accuracy. At the same time the control circuitry monitors both whether the sensor is functioning correctly and whether it is properly connected; signal loss due to wire breakage, short circuiting, dirt or aging, for example, is recognized when control thresholds are reached and indicated at alarm output ERR.

iC-MSA is protected against a reversed power supply voltage; the integrated voltage switch for loads of up to 20 mA extends this protection to cover the overall system. The analog output drivers are directly cable-compatible and tolerant to false wiring; if supply voltage is connected up to these pins, the device is not destroyed.

The device configuration and calibration parameters are CRC protected and stored in an external EEPROM; they are loaded automatically via the I2C interface once the supply voltage has been connected up.

**CONTENTS**

<b>PACKAGING INFORMATION</b>	<b>4</b>	<b>SIGNAL PATH MULTIPLEXING</b>	<b>21</b>
PIN CONFIGURATION TSSOP20-TP . . . . .	4	<b>SIGNAL CONDITIONING CH1, CH2</b>	<b>22</b>
PACKAGE DIMENSIONS : TSSOP20-TP . . . . .	5	Gain Settings CH1, CH2 . . . . .	22
<b>ABSOLUTE MAXIMUM RATINGS</b>	<b>6</b>	Offset Calibration CH1, CH2 . . . . .	23
<b>THERMAL DATA</b>	<b>6</b>	Phase Correction CH1 vs. CH2 . . . . .	23
<b>ELECTRICAL CHARACTERISTICS</b>	<b>7</b>	<b>SIGNAL CONDITIONING CH0</b>	<b>24</b>
<b>PROGRAMMING</b>	<b>11</b>	Gain Settings CH0 . . . . .	24
<b>SERIAL CONFIGURATION INTERFACE (EEPROM)</b>	<b>14</b>	Offset Calibration CH0 . . . . .	24
Example of CRC Calculation Routine . . . . .	14	<b>AUTOMATIC SIGNAL GAIN CONTROL and SIGNAL MONITORING</b>	<b>25</b>
EEPROM Selection . . . . .	14	<b>ERROR MONITORING AND ALARM OUTPUT</b>	<b>26</b>
I <sup>2</sup> C Slave Mode (ENSL = 1) . . . . .	15	Alarm Output: I/O pin ERR . . . . .	26
<b>BIAS SOURCE AND TEMPERATURE SENSOR CALIBRATION</b>	<b>16</b>	Excessive Temperature Warning . . . . .	26
<b>OPERATING MODES</b>	<b>17</b>	Driver Shutdown . . . . .	26
Calibration Op. Modes . . . . .	17	Error Protocol . . . . .	26
Special Device Test Functions . . . . .	17	<b>REVERSE POLARITY PROTECTION</b>	<b>27</b>
Signal Filter . . . . .	17	<b>APPLICATION HINTS</b>	<b>28</b>
<b>TEST MODE</b>	<b>18</b>	PLC Operation . . . . .	28
<b>INPUT CONFIGURATIONS</b>	<b>19</b>	Connecting MR sensor bridges for safety-related applications . . . . .	28
Current Signals . . . . .	19	Motor feedback encoder with iC-MSA, iC-MSB and single EEPROM . . . . .	29
Voltage Signals . . . . .	19	<b>REVISION HISTORY</b>	<b>30</b>

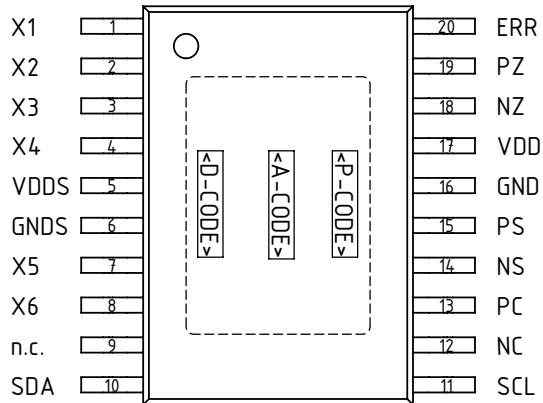
# iC-MSA SIN/COS SIGNAL CONDITIONER with AGC and 1Vpp DRIVER



Rev A2, Page 4/31

## PACKAGING INFORMATION

### PIN CONFIGURATION TSSOP20-TP



### PIN FUNCTIONS

No.	Name	Function
1	X1	Signal Input 1 (Index +)
2	X2	Signal Input 2 (Index -)
3	X3	Signal Input 3
4	X4	Signal Input 4
5	VDDS <sup>1</sup>	Switched Supply Output and Internal Analog Supply Voltage (reverse-polarity-proof, load 20 mA max.)
6	GNDS <sup>1</sup>	Switched Ground (reverse-polarity-proof)
7	X5	Signal Input 5
8	X6	Signal Input 6
9	n.c.	Pin is not connected.
10	SDA	Serial Configuration Interface, data line
11	SCL	Serial Configuration Interface, clock line
12	NC	Neg. Cosine Output
13	PC	Pos. Cosine Output
14	NS	Neg. Sine Output
15	PS	Pos. Sine Output
16	GND	Ground
17	VDD	+4.3 V to +5.5 V Supply Voltage
18	NZ	Neg. Index Output
19	PZ	Pos. Index Output
20	ERR	Error Signal (In/Out), Test Mode Trigger Input
	TP <sup>2)</sup>	Thermal Pad (TSSOP20-TP)

IC top marking: <P-CODE> = product code, <A-CODE> = assembly code (subject to changes), <D-CODE> = date code (subject to changes);

<sup>1</sup> It is advisable to connect a bypass capacitor of about 100 nF (up to 1 µF max.) close to the chip's analog supply terminals.

<sup>2</sup> To improve heat dissipation the *thermal pad* of the package (bottom side) should be joined to an extended copper area which must have GNDS potential.

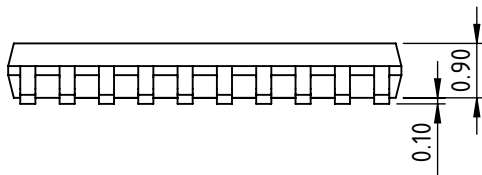
# iC-MSA SIN/COS SIGNAL CONDITIONER with AGC and 1Vpp DRIVER



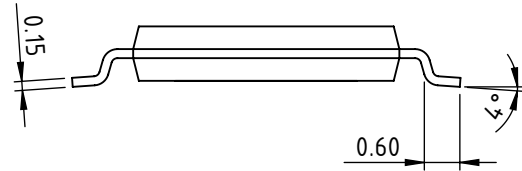
Rev A2, Page 5/31

## PACKAGE DIMENSIONS : TSSOP20-TP

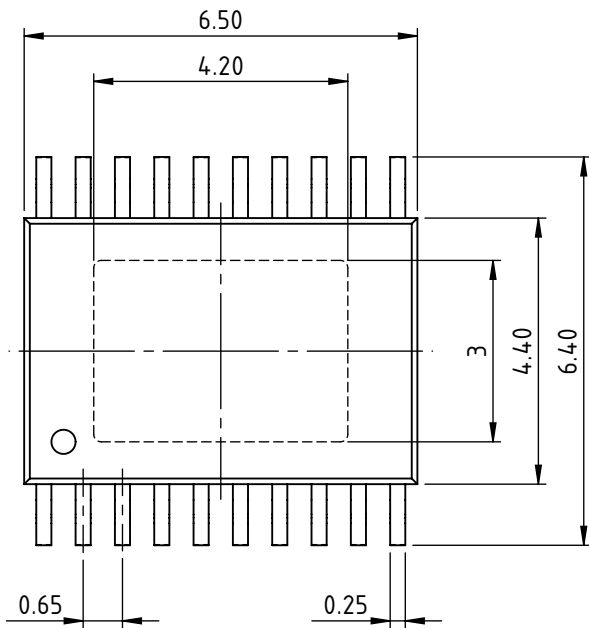
SIDE



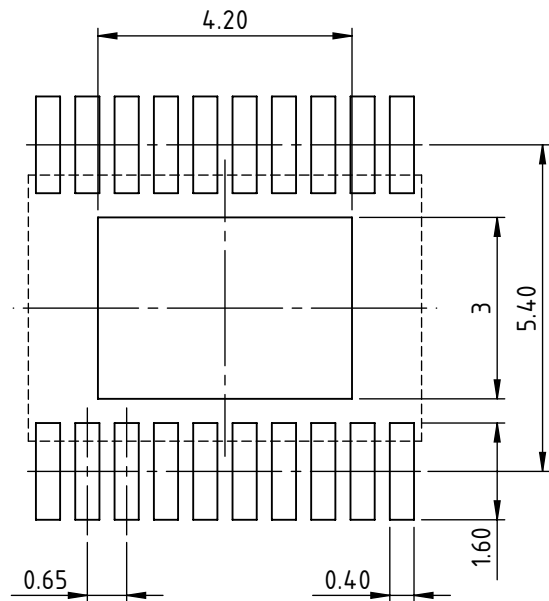
FRONT



TOP



RECOMMENDED PCB-FOOTPRINT



All dimensions given in mm.  
Tolerances of form and position according to JEDEC MO-153

dra\_tssop20-tp-1\_pack\_1, 8:1

# iC-MSA SIN/COS SIGNAL CONDITIONER with AGC and 1Vpp DRIVER



Rev A2, Page 6/31

## ABSOLUTE MAXIMUM RATINGS

These ratings do not imply operating conditions; functional operation is not guaranteed. Beyond these ratings device damage may occur.

Item No.	Symbol	Parameter	Conditions			Unit
				Min.	Max.	
G001	V()	Voltage at VDD, GND, PC, NC, PS, NS, PZ, NZ		-6	6	V
G002	V()	Voltage at ERR		-6	8	V
G003	V()	Pin-To-Pin Voltage between VDD, GND, PC, NC, PS, NS, PZ, NZ, ERR			6	V
G004	V()	Voltage at X1...X6, SCL, SDA		-0.3	VDDS + 0.3	V
G005	I(VDD)	Current in VDD		-100	100	mA
G006	I()	Current in VDDS, GNDS		-50	50	mA
G007	I()	Current in X1...X6, SCL, SDA, ERR, PC, NC, PS, NS, PZ, NZ		-20	20	mA
G008	Vd()	ESD Susceptibility at all pins	HBM 100 pF discharged through 1.5 kΩ		2	kV
G009	Ptot	Permissible Power Dissipation	TSSOP20-TP		400	mW
G010	Tj	Junction Temperature		-40	150	°C
G011	Ts	Storage Temperature Range		-40	150	°C

## THERMAL DATA

VDD = 4.3...5.5 V

Item No.	Symbol	Parameter	Conditions				Unit
				Min.	Typ.	Max.	
T01	Ta	Operating Ambient Temperature Range	TSSOP20-TP	-40		115	°C
T02	Rthja	Thermal Resistance Chip to Ambient	TSSOP20-TP surface mounted to PCB according to JEDEC 51		35		K/W

All voltages are referenced to Pin GNDS unless otherwise stated.

All currents flowing into the device pins are positive; all currents flowing out of the device pins are negative.

# iC-MSA SIN/COS SIGNAL CONDITIONER with AGC and 1Vpp DRIVER



Rev A2, Page 7/31

## ELECTRICAL CHARACTERISTICS

Operating conditions: VDD = 4.3...5.5 V, Tj = -40...125 °C, IBN calibrated to 200 µA, reference point GNDS, unless otherwise stated.

Item No.	Symbol	Parameter	Conditions				Unit
				Min.	Typ.	Max.	
<b>Total Device</b>							
001	VDD	Permissible Supply Voltage	Load current I(VDDS) < -10 mA	4.3 4.5		5.5 5.5	V V
002	I(VDD)	Supply Current in VDD	Tj = 27 °C, no load		25	50	mA
003	I(VDDS)	Permissible Load Current VDDS		-20		0	mA
004	Vc()hi	Clamp Voltage hi at all pins				11	V
005	Vc()hi	Clamp Voltage hi at inputs SCL, SDA	Vc()hi = V() – V(VDDS), I() = 1 mA	0.4		1.5	V
006	Vc()hi	Clamp Voltage hi at inputs X1...X6	Vc()hi = V() – V(VDDS), I() = 4 mA	0.3		1.2	V
007	Vc()lo	Clamp Voltage lo at all pins	I() = -4 mA	-1.2		-0.3	V
008	Irev(VDD)	Reverse-Polarity Current VDD vs. GND	V(VDD) = -5.5 V...-4.3 V	-1		1	mA
<b>Signal Conditioning, Inputs X3...X6</b>							
101	Vin()sig	Permissible Input Voltage Range	RIN12(3:0) = 0x01 RIN12(3:0) = 0x09	0.75 0		VDDS - 1.5 VDDS	V V
102	Iin()sig	Permissible Input Current Range	RIN12(0) = 0, BIAS12 = 0 RIN12(0) = 0, BIAS12 = 1	-300 10		-10 300	µA µA
103	Iin()	Input Current	RIN12(3:0) = 0x01	-10		10	µA
104	Rin()	Input Resistance vs. VREFin	Tj = 27 °C; RIN12(3:0) = 0x09 RIN12(3:0) = 0x00 RIN12(3:0) = 0x02 RIN12(3:0) = 0x04 RIN12(3:0) = 0x06	16 1.1 1.6 2.2 3.2	20 1.6 2.3 3.2 4.6	24 2.1 3.0 4.2 6.0	kΩ kΩ kΩ kΩ kΩ
105	TCRin()	Temperature Coefficient Rin			0.15		%/K
106	VREFin12	Reference Voltage	RIN12(0) = 0, BIAS12 = 1 RIN12(0) = 0, BIAS12 = 0	1.35 2.25	1.5 2.5	1.65 2.75	V V
107	G12	Gain Factors	GC2 = 0x80; RIN12(3:0) = 0x01, GR12 and AGCGF1 = min. RIN12(3:0) = 0x01, GR12 and AGCGF1 = max.  RIN12(3:0) = 0x09, GR12 and AGCGF1 = min. RIN12(3:0) = 0x09, GR12 and AGCGF1 = max.		0.8 116  0.2 29		
108	ΔGdiff	Differential Gain Accuracy	calibration range 11 bit	-0.5		0.5	LSB
109	ΔGabs	Absolute Gain Accuracy	calibration range 11 bit, guaranteed monotony	-1		1	LSB
110	Vin()diff	Recommended Differential Input Voltage	Vin()diff = V(CHPx) - V(CHNx), RIN12(3) = 0 RIN12(3) = 1	10 40		500 2000	mVpp mVpp
111	Vin()os	Input Offset Voltage	referred to side of input	0	20		µV
112	VOScal	Offset Calibration Range	referenced to the selected source (VOS12); ORx = 00 ORx = 01 ORx = 10 ORx = 11		±100 ±200 ±600 ±1200		%V() %V() %V() %V()
113	ΔVOSdiff	Differential Linearity Error of Offset Correction	calibration range 11 bit	-0.5		0.5	LSB
114	ΔVOSint	Integral Linearity Error of Offset Correction	calibration range 11 bit	-1		1	LSB
115	PHIkorr	Phase Error Calibration Range	CH1 versus CH2		±10.4		°
116	ΔPHIdiff	Differential Linearity Error of Phase Calibration	calibration range 10 bit	-0.5		0.5	LSB
117	ΔPHLint	Integral Linearity Error of Phase Calibration	calibration range 10 bit	-1		1	LSB
119	fin()max	Permissible Input Frequency		20			kHz

# iC-MSA SIN/COS SIGNAL CONDITIONER with AGC and 1Vpp DRIVER



Rev A2, Page 8/31

## ELECTRICAL CHARACTERISTICS

Operating conditions: VDD = 4.3...5.5 V, Tj = -40...125 °C, IBN calibrated to 200 µA, reference point GNDS, unless otherwise stated.

Item No.	Symbol	Parameter	Conditions	Min.	Typ.	Max.	Unit
120	f <sub>hc</sub> ()	Input Amplifier Cut-off Frequency (-3dB)		100			kHz
<b>Signal Conditioning, Inputs X1, X2</b>							
201	Vin() <sub>sig</sub>	Permissible Input Voltage Range	RIN0(3:0) = 0x01	0.75		VDDS - 1.5	V
			RIN0(3:0) = 0x09	0		VDDS	V
202	lin() <sub>sig</sub>	Permissible Input Current Range	RIN0(0) = 0, BIAS0 = 0 RIN0(0) = 0, BIAS0 = 1	-300 10		-10 300	µA µA
203	lin()	Input Current	RIN0(3:0) = 0x01	-10		10	µA
204	V <sub>out</sub> (X2)	Output Voltage at X2	BIASEX = 10, I(X2) = 0, referenced to VRE-Fin12	95	100	105	%
205	Vin(X2)	Permissible Input Voltage at	BIASEX = 11	0.5		VDDS - 2	V
206	Rin(X2)	Input Resistance at X2	BIASEX = 11, RIN0(3:0) = 0x01, RIN12(3:0) = 0x01	20	28	35	kΩ
207	Rin()	Input Resistance vs. VREFin	Tj = 27 °C;				
			RIN0(3:0) = 0x09	16	20	24	kΩ
			RIN0(3:0) = 0x00	1.1	1.6	2.1	kΩ
			RIN0(3:0) = 0x02	1.6	2.3	3.0	kΩ
			RIN0(3:0) = 0x04	2.2	3.2	4.2	kΩ
RIN0(3:0) = 0x06	3.2	4.6	6.0	kΩ			
208	TCRin()	Temperature Coefficient Rin			0.15		%/K
209	VREFin0	Reference Voltage	RIN0(0) = 0, BIAS0 = 1	1.35	1.5	1.65	V
			RIN0(0) = 0, BIAS0 = 0	2.25	2.5	2.75	V
210	G0	Gain Factors	GC0 = 0x80; RIN0(3:0) = 0x01, GR0 and AGCGF1 = min. RIN0(3:0) = 0x01, GR0 and AGCGF1 = max.		0.8 116		
			RIN0(3:0) = 0x09, GR0 and AGCGF1 = min. RIN0(3:0) = 0x09, GR0 and AGCGF1 = max.		0.2 29		
211	ΔG <sub>diff</sub>	Differential Gain Accuracy	calibration range 5 bit	-0.5		0.5	LSB
212	ΔG <sub>abs</sub>	Absolute Gain Accuracy	calibration range 5 bit, guaranteed monotony	-1		1	LSB
213	Vin() <sub>diff</sub>	Recommended Differential Input Voltage	Vin() <sub>diff</sub> = V(CHP0) - V(CHN0), RIN0(3:0) = 0x01 RIN0(3:0) = 0x09	10 40		500 2000	mVpp mVpp
214	Vin() <sub>os</sub>	Input Offset Voltage	referred to side of input	0	75		µV
215	VOS <sub>cal</sub>	Offset Calibration Range	referenced to the selected source (REFVOS);				
			OR0 = 00		±100		%V()
			OR0 = 01		±200		%V()
			OR0 = 10		±600		%V()
OR0 = 11		±1200		%V()			
216	ΔVOS <sub>diff</sub>	Differential Linearity Error of Offset Correction	calibration range 6 bit	-0.5		0.5	LSB
217	ΔVOS <sub>int</sub>	Integral Linearity Error of Offset Correction	calibration range 6 bit	-1		1	LSB
<b>Signal Filter</b>							
301	f <sub>g</sub>	Cut-off Frequency				4000	kHz
302	phi	Phase Shift	f <sub>in</sub> 500 kHz for sine/cosine			10	°
<b>Index Pulse Comparator Output PZ, NZ</b>							
401	V <sub>pk</sub> ()	Output Amplitude With Automatic Gain Control	EAZ = 1, AGCOFF = 0, ADJ = 0x32	225	250	275	mV
402	SR()	Output Slew Rate	EAZ = 1		1		V/µs
<b>Line Driver Outputs PS, NS, PC, NC, PZ, NZ</b>							
501	V <sub>pk</sub> () <sub>max</sub>	Permissible Output Amplitude	VDD = 4.5 V, DC level = VDD / 2, RL = 50 Ω vs. VDD / 2			300	mV
502	V <sub>pk</sub> ()	Output Amplitude With Automatic Gain Control	AGCOFF = 0, ADJ (5:0) = 0x32	225	250	275	mV



# iC-MSA SIN/COS SIGNAL CONDITIONER with AGC and 1Vpp DRIVER



Rev A2, Page 9/31

## ELECTRICAL CHARACTERISTICS

Operating conditions: VDD = 4.3...5.5 V, Tj = -40...125 °C, IBN calibrated to 200 µA, reference point GNDS, unless otherwise stated.

Item No.	Symbol	Parameter	Conditions	Min.	Typ.	Max.	Unit
503	fg	Cut-off Frequency	CL = 250 pF	500			kHz
504	Vos	Offset Voltage			±200		µV
505	Isc()	Short-circuit Current	pin shorten to VDD or GND	10	30	50	mA
506	Iik()	Tristate Leakage Current	tristate or reversed supply	-1		1	µA
<b>Automatic Signal Gain Controller</b>							
601	tset()	Automatic Gain Settling Time	square control active, AGCGF1: 0x40 → 0x80		2		ms
602	Gt()min	Control Range Monitoring 1: lower limit	CH1 gain/GR12, AGCGF1 = 0x10		1.2		
603	Gt()max	Control Range Monitoring 2: upper limit	CH1 gain/GR12, AGCGF1 = 0xF0		16.6		
604	Vt()min	Signal Level Monitoring 1: lower limit	referenced to Vscq()		40		%Vpp
605	Vt()max	Signal Level Monitoring 2: upper limit	referenced to Vscq()		130		%Vpp
<b>Test Current ERR</b>							
701	I(ERR)	Permissible Test Current	test mode activated	0		1	mA
<b>Bias Current Source and Reference Voltages</b>							
801	IBN()	Bias Current Source	MODE(3:0) = 0x01, I(NC) vs. VDD5	180	200	220	µA
802	VPAH	Reference Voltage VPAH	referenced to GND	45	50	55	%VDD
803	V05	Reference Voltage V05		450	500	550	mV
804	V025	Reference Voltage V025			50		%V05
<b>Power-Down-Reset</b>							
901	VDDon	Turn-on Threshold (power-on release)	increasing voltage at VDD vs. GND	3.7	4	4.3	V
902	VDDoff	Turn-off Threshold (power-down reset)	decreasing voltage at VDD vs. GND	3.2	3.5	3.8	V
903	VDDhys	Threshold Hysteresis	VDDhys = VDDon – VDDoff	0.3			V
<b>Clock Oscillator</b>							
A01	fclk()	Internal Clock Frequency	MODE(3:0) = 0x0A, fclk(NS)	120	160	200	kHz
<b>Error Signal Input/Output, Pin ERR</b>							
B01	Vs()lo	Saturation Voltage lo	vs. GND, I() = 4 mA			0.4	V
B02	Isc()	Short-circuit Current lo	vs. GND; V(ERR) ≤ VDD V(ERR) > VTMon	4 2			mA mA
B03	Vt()hi	Input Threshold Voltage hi	vs. GND			2	V
B04	Vt()lo	Input Threshold Voltage lo	vs. GND	0.8			V
B05	Vt()hys	Input Hysteresis	Vt()hys = Vt()hi – Vt()lo	300	500		mV
B06	Ipu()	Input Pull-up Current	V() = 0...VDD – 1 V, EPU = 1	-400	-300	-200	µA
B07	Rpu()	Input Pull-Up Resistor	EPU = 0		500		kΩ
B08	Vpu()	Pull-up Voltage	Vpu() = VDD - V(), I() = -5 µA, EPU = 1			0.4	V
B09	VTMon	Test Mode Activation Threshold	increasing voltage at ERR			VDD + 1.5	V
B10	VTMoff	Test Mode Disabling Threshold	decreasing voltage at ERR	VDD + 0.5			V
B11	VTMhys	Test Mode Hysteresis	VTMhys = VTMon – VTMoff	0.15	0.3		V
B12	Iik()	Leakage Current	tristate or reversed supply voltage	-1	-10	-50	µA
<b>Supply Switch and Reverse Polarity Protection VDD5, GNDS</b>							
C01	Vs()	Saturation Voltage VDD5 vs. VDD	Vs(VDD5) = VDD – V(VDD5) I(VDD5) = -10 mA...0 mA I(VDD5) = -20 mA...-10 mA			150 250	mV mV
C02	Vs()	Saturation Voltage GNDS vs. GND	Vs(GNDS) = V(GNDS) – GND I(GNDS) = 0 mA...10 mA I(GNDS) = 10 mA...20 mA			150 250	mV mV
C03	C()	Backup Capacitor Analog Supply VDD5 vs. GNDS		100			nF

# iC-MSA SIN/COS SIGNAL CONDITIONER with AGC and 1Vpp DRIVER



Rev A2, Page 10/31

## ELECTRICAL CHARACTERISTICS

Operating conditions: VDD = 4.3...5.5 V, Tj = -40...125 °C, IBN calibrated to 200 µA, reference point GNDS, unless otherwise stated.

Item No.	Symbol	Parameter	Conditions				Unit
				Min.	Typ.	Max.	
<b>Serial Configuration Interface SCL, SDA</b>							
D01	Vs()lo	Saturation Voltage lo	I() = 4 mA			400	mV
D02	Isc()	Short-circuit Current lo		4		80	mA
D03	Vt()hi	Input Threshold Voltage hi				2	V
D04	Vt()lo	Input Threshold Voltage lo		0.8			V
D05	Vt()hys	Input Hysteresis	Vt()hys = Vt()hi – Vt()lo	300	500		mV
D06	Ipu()	Input Pull-up Current	V() = 0...VDD5 – 1 V	-600	-300	-60	µA
D07	Vpu()	Input Pull-up Voltage	Vpu() = VDD5 – V(), I() = -5 µA			0.4	V
D08	fclk(SCL)	Clock Frequency at SCL	ENFAST = 0 ENFAST = 1	60 240	80 320	100 400	kHz kHz
D09	tbusy()cfg	Duration of Startup Configuration	IBN not calibrated, EEPROM access without read failure, time to outputs operational; ENFAST = 0 ENFAST = 1		40 25	55 35	ms ms
D10	tbusy()jerr	End Of I2C Communication; Time Until I2C Slave Is Enabled	IBN not calibrated; V(SDA) = 0 V V(SCL) = 0 V or arbitration lost no EEPROM CRC ERROR		4 indef. 45 95	12  135 285	ms ms ms ms
D11	td()	Start Of Master Activity On I2C Protocol Error	SCL without clock signal: V(SCL) = constant; IBN not calibrated IBN calibrated to 200 µA	25 64	80 80	240 120	µs µs
D12	td()i2c	Delay for I2C-Slave-Mode Enable	no EEPROM, V(SDA) = 0 V		4	6.2	ms
<b>Temperature Monitoring</b>							
E01	VTs	Temperature Sensor Voltage	VTs() = VDD5 – V(PS), Tj = 27 °C, Calibration Mode 3, no load	600	650	700	mV
E02	TCs	Temp. Co. of Temperature Sensor Voltage			-1.8		mV/K
E03	VTth	Temperature Warning Activation Threshold	VTth() = VDD5 – V(NS), Tj = 27 °C, Calibration Mode 3, no load; CFGTA(3:0) = 0x00 CFGTA(3:0) = 0x0F	260 470	310 550	360 630	mV mV
E04	TCth	Temp. Co. Temperature Warning Activation Threshold			0.06		%/K
E05	Thys	Temperature Warning Hysteresis		4	12	20	°C
E06	ΔT	Relative Shutdown Temperature	ΔT = Toff – Twarn	4	12	20	°C

**PROGRAMMING**

<b>Register Map</b> .....	Page 12	<b>Signal Conditioning CH1, CH2 (X3...X6)</b> ..	Page 22
<b>Configuration Interface</b> .....	Page 14	GR12:	Gain Range CH1, CH2 (coarse)
ENFAST:	I <sup>2</sup> C Fast Mode Enable	VOS12:	Offset Reference Source CH1, CH2
ENSL:	I <sup>2</sup> C Slave Mode Enable	OR1:	Offset Range CH1 (coarse)
DEVID:	Device ID of EEPROM providing the chip configuration data (e.g. 0x50)	OF1:	Offset Factor CH1 (fine)
CHKSUM:	CRC of chip configuration data (address range 0x40 to 0x5E)	OR2:	Offset Range CH2 (coarse)
CHPREL:	Chip Release	OF2:	Offset Factor CH2 (fine)
NTRI:	Tristate Function and Op. Mode Change	PH12:	Phase Correction CH1 vs. CH2
<b>Calibration</b> .....	Page 16	GC2:	Gain Correction CH2 (fine)
CFGIBN:	Bias Calibration	<b>Signal Conditioning CH0 (X1, X2)</b> .....	Page 24
CFGTA:	Temperature Sensor Calibration	GC0:	Gain Correction CH0 (fine)
<b>Operation Modes</b> .....	Page 17	GR0:	Gain Range CH0 (coarse)
MODE:	Operation Mode	VOS0:	Offset Reference Source CH0
ENF:	Signal Filtering	OR0:	Offset Range CH0 (coarse)
<b>Test Mode</b> .....	Seite 18	OF0:	Offset Factor CH0 (fine)
TMODE:	Test Mode Functions	<b>Signal Level Controller</b> .....	Page 25
<b>Input Configuration and Signal Path Multiplexer</b> .....	Page 19	AGCOFF:	Setup of AGC
INMODE:	Diff./Single-Ended Input Mode	ADJ:	AGC Setpoint
RIN12:	I/V Mode and Input Resistance CH1, CH2	<b>Error Monitoring and Alarm Output</b> .....	Page 26
BIAS12:	Reference Voltage CH1, CH2	EMTD:	Minimal Alarm Indication Time
RIN0:	I/V Mode and Input Resistance CH0	EPH:	Alarm Input/Output Logic
BIAS0:	Reference Voltage CH0	EPU:	Alarm Output Pull-Up Enable
MUXIN:	Input-To-Channel Assignment: X3...X6 to CH1, CH2	EMASKA:	Error Mask For Alarm Indication (pin ERR)
INVZ:	Index Signal Inversion	EMASKE:	Error Mask For Protocol (EEPROM)
EAZ:	Index Comparator Enable	EMASKO:	Error Mask For Driver Shutdown
BIASEX:	Input Reference Selection	ERR1:	Error Protocol: First Error
BYP	Input-to-output Feedthrough	ERR2:	Error Protocol: Last Error
		ERR3:	Error Protocol: History
		PDMODE:	Driver Activation After Cycling Power
		AGCGF1:	AGC Gain Fine CH1 (read-only)

# iC-MSA SIN/COS SIGNAL CONDITIONER with AGC and 1Vpp DRIVER



Rev A2, Page 12/31

OVERVIEW									
Addr	Bit 7	Bit 6	Bit 5	Bit 4	Bit 3	Bit 2	Bit 1	Bit 0	
<b>Configuration Interface</b>									
0x40	ENFAST	DEVID(6:0)*							
<b>Calibration</b>									
0x41	CFGIBN(3:0)				CFGTA(3:0)				
<b>Operation Modes</b>									
0x42	NTRI	1	0	-	MODE(3:0)				
<b>Input Configuration and Signal Path Multiplexer</b>									
0x43	EAZ	0	0	0	INVZ	INMODE	MUXIN(1:0)		
0x44	0	0	0	1	0	0	0	0	
<b>Signal Level Controller</b>									
0x45	AGCOFF	0	ADJ(5:0)						
<b>Signal Conditioning CH1, CH2</b>									
0x46	0	0	0	0	0	GR12(2:0)			
0x47	0	0	0	0	1	0	0	0	
0x48	OR1(0)	0	1	0	0	0	0	0	
0x49	OF1(6:0)							OR1(1)	
0x4A	OF2(1:0)		OR2(1:0)		OF1(10:7)				
0x4B	OF2(9:2)								
0x4C	PH12(6:0)							OF2(10)	
0x4D	BIASEX(1:0)		BYP	1	1	PH12(9:7)			
0x4E	ENF	BIAS12	VOS12(1:0)		RIN12(3:0)				
0x4F	GC2(7:0)								
<b>Signal Conditioning CH0</b>									
0x50	GC0(7:0)								
0x51	-					GR0(2:0)			
0x52	OF0(5:0)						OR0(1:0)		
0x53	0	BIAS0	VOS0(1:0)		RIN0(3:0)				
<b>Error Monitoring and Alarm Output</b>									
0x54	-	EMASKA(6:0)							
0x55	TMODE(1:0)		EMTD(2:0)			EPH	-	-	
0x56	EMASKO(6:0)								
0x57	EMASKE(3:0)				ENSL	EPU	-	-	
0x58	-	PDMODE	-	-	-	EMASKE(6:4)			
0x59	EEPROM: not defined / RAM: AGCGF1(10:3) (read-only)								
0x5A	not defined								
<b>OEM Data</b>									
0x5B.. 0x5E	OEM Data								
<b>Check Sum / Chip Release</b>									
0x5F	EEPROM: CHKSUM(7:0) / ROM: CHPREL(7:0)								

# iC-MSA SIN/COS SIGNAL CONDITIONER with AGC and 1Vpp DRIVER



Rev A2, Page 13/31

OVERVIEW								
Addr	Bit 7	Bit 6	Bit 5	Bit 4	Bit 3	Bit 2	Bit 1	Bit 0
<b>Error Register</b>								
0x60	–	ERR1(6:0)						
0x61	ERR2(5:0)						–	–
0x62	ERR3(3:0)				–	–	–	ERR2(6)
0x63	–	–	–	–	–	ERR3(6:4)		
Notes	Register entries specified 0 or 1 mean a mandatory programming. *) The DEVID programming is only relevant if using the Test Mode for data output via pin ERR.							

Table 4: Register layout

## SERIAL CONFIGURATION INTERFACE (EEPROM)

The serial configuration interface consists of the two pins SCL and SDA and enables read and write access to an EEPROM with I<sup>2</sup>C interface. The readout speed can be adjusted using register bit ENFAST.

ENFAST	Adr 0x40, bit 7
Code	Function
0	Regular clock rate, f(SCL) approx. 80 kHz
1	High clock rate, f(SCL) approx. 320 kHz
Notes	For in-circuit programming bus lines SCL and SDA require pull-up resistors. For line capacitances to 170 pF, adequate values are: 4.7 kΩ with clock frequency 80 kHz 2 kΩ with clock frequency 320 kHz  The pull-up resistors may not be less than 1.5 kΩ. To separate the signals a ground line between SCL and SDA is recommended. iC-MSA requires a supply voltage during EEPROM programming (5 V to VDD).

Table 5: Config. Interface Clock Frequency

Once the supply has been switched on (power down reset) the iC-MSA outputs are high impedance (tristate) until a valid configuration is read out from the EEPROM using device ID 0x50.

Bit errors in the 0x40 to 0x5E memory section are pinpointed by the CRC deposited in register CHKSUM(7:0) (address 0x5F; the CRC polynomial used is "1 0001 1101").

Should no valid configuration data being available (incorrect CRC value or EEPROM missing), the readin process is repeated; the system aborts following a fourth faulty attempt and iC-MSA switches to I<sup>2</sup>C slave mode.

For devices loading valid configuration data from the EEPROM, the register bit ENSL decides for enabling the I<sup>2</sup>C slave function.

ENSL	Adr 0x17, bit 3
Code	Function
0	Normal operation
1	I <sup>2</sup> C Slave Mode Enable (Device ID 0x57)

Table 6: Config. Interface Mode

The device ID for the EEPROM can be entered in register DEVID(6:0) (address 0x40), from which iC-MSA will take its configuration after exiting test mode (see page 18). The DEVID(6:0) stored therein is then accepted.

### Example of CRC Calculation Routine

```

unsigned char ucDataStream = 0;
int iCRCPoly = 0x11D;
unsigned char ucCRC=0;
int i = 0;

ucCRC = 1; // start value !!!
for (iReg = 0; iReg<31; iReg++)
{
    ucDataStream = ucGetValue(iReg);
    for (i=0; i<=7; i++) {
        if ((ucCRC & 0x80) != (ucDataStream & 0x80))
            ucCRC = (ucCRC << 1) ^ iCRCPoly;
        else
            ucCRC = (ucCRC << 1);
        ucDataStream = ucDataStream << 1;
    }
}
    
```

### EEPROM Selection

The following minimal requirements must be fulfilled:

- Operation from 3.3 to 5 V, I<sup>2</sup>C interface
- Minimal 1024 bit, 128x8 (address range used is 0x40 to 0x7F)
- Support of *Page Write* with *Pages* of at least 4 bytes. Otherwise error events can not be saved to the EEPROM (EMASKE(9:0) = 0x000).
- Device ID 0x50 "101 0000", no occupation of 0x57 (A2...A0 = 0). Otherwise iC-MSA is not accessible in I<sup>2</sup>C slave mode via 0x57 (ENSL = 0).

Recommended devices: Atmel AT24C01C, ST M24C01W, ST M24C02 (2K), ROHM BR24L01A-W, BR24L02-W

## I<sup>2</sup>C Slave Mode (ENSL = 1)

In this mode iC-MSA behaves like an I<sup>2</sup>C slave with the device ID 0x57 and the configuration interface permits write and read accesses to iC-MSA's internal registers.

For chip release verification purposes an identification value is stored under ROM address 0x5F; a write access to this address is not permitted.

CHPREL		Adr 0x5F, bit 7:0 (ROM)
Code		Chip Release
0x10		iC-MSA

Table 7: Chip Release

NTRI		Adr 0x42, bit 7
Code		Function
0		Output drivers disabled
1		Setting the operating mode, output drivers active
Notes		NTRI is evaluated only during I <sup>2</sup> C slave mode.

Table 8: Tristate Function And Op. Mode Change

Register		Read access in I <sup>2</sup> C slave mode (ENSL = 1)
Address		Content
0x00-0x03		Current error memory
0x04-0x3F		Not available
0x40-0x58		Configuration: register addresses 0x40-0x58
0x59		AGCGF1(10:3)
0x5A		Not available
0x5B-0x5E		OEM data (4 byte) (see EEPROM addresses 0x5B-0x5E)
0x5F		Chip release (ROM)
0x60-0x63		Configuration: register addresses 0x60-0x63
0x64-0x77		Not available
0x78		Configuration: register address 0x58
0x79-0x7A		Not available
0x7B-0x7E		OEM data (4 byte) (see EEPROM addresses 0x5B-0x5E)
0x7F		Chip release (ROM)

Table 9: RAM Read Access

Register		Write access in I <sup>2</sup> C slave mode (ENSL = 1)
Address		Access and conditions
0x40		Changes possible, no restrictions
0x41		Changes possible (wrong entries for CFGIBN can limit functions)
0x42		Bit 7 = 0 (NTRI): changes to bits (6:0) permitted A change of operating mode follows only on writing Bit 7 = 1 (NTRI); when doing so changes to bits (6:0) are not permitted.
0x43-0x56		Changes possible, no restrictions
0x57		Bit 3 = 1 (ENSL): changes to bits (7:4) and (2:0) permitted
0x58		Changes possible, no restrictions
0x59-0x5A		Not available
0x5B-0x5E		Changes possible, no restrictions
others		No changes permitted

Table 10: RAM Write Access

**BIAS SOURCE AND TEMPERATURE SENSOR CALIBRATION**

**Bias Source Calibration**

The calibration of the bias current source in operation mode *Calibration 1* (Tab. 13) is prerequisite for adherence to the given electrical characteristics and also instrumental in the determination of the chip timing (e.g. SCL clock frequency). For setup purposes the IBN value is measured using a 10 kΩ resistor by pin VDDS connected to pin NC. The setpoint is 200 μA which is equivalent to a measurement voltage of 2 V.

CFGIBN    ADR 0x41, bit 7:4			
Code k	IBN $\sim \frac{31}{39-k}$	Code k	IBN $\sim \frac{31}{39-k}$
0x0	79 %	0x8	100 %
0x1	81 %	0x9	103 %
0x2	84 %	0xA	107 %
0x3	86 %	0xB	111 %
0x4	88 %	0xC	115 %
0x5	91 %	0xD	119 %
0x6	94 %	0xE	124 %
0x7	97 %	0xF	129 %

Table 11: Bias Current Source Calibration

**Temperature Sensor**

The temperature monitor is calibrated in operating mode *Calibration Mode 3*.

To set the required warning temperature  $T_2$  the temperature sensor voltage  $V_{Ts}$  at which the warning is generated is first determined. To this end a voltage ramp from VDDS towards GNDS is applied to pin PS until pin ERR triggers an error message (for EMASKA = 0x20 and EMTD = 0x00).

*Example:  $V_{Ts}(T_1)$  is ca. 650 mV, measured from VDDS versus PS, with  $T_1 = 25^\circ\text{C}$ ;*

The necessary activation threshold voltage  $V_{Th}(T_1)$  is then calculated. The required warning temperature  $T_2$ , temperature coefficients TCs and TCth (see Electrical Characteristics, Section E) and measurement value  $V_{Ts}(T_1)$  are entered into this calculation:

$$V_{Th}(T_1) = \frac{V_{Ts}(T_1) + TCs \cdot (T_2 - T_1)}{1 + TCth \cdot (T_2 - T_1)}$$

*Example: For  $T_2 = T_1 + 100\text{K}$ ,  $V_{Th}(T_1)$  must be programmed to 443 mV.*

Activation threshold voltage  $V_{Th}(T_1)$  is provided for a high impedance measurement (10 MΩ) at output pin NS (measurement versus VDDS) and must be set by programming CFGTA(3:0) to the calculated value.

*Example: Altering  $V_{Th}(T_1)$  from 310 mV (measured with CFGTA(3:0) = 0x0) to 443 mV is equivalent to 143 %, the closest value for CFGTA is 0x9;*

CFGTA    ADR 0x41, bit 3:0			
Code k	$V_{Th} \sim \frac{65+3k}{65}$	Code k	$V_{Th} \sim \frac{65+3k}{65}$
0x0	100 %	0x8	140 %
0x1	105 %	0x9	145 %
0x2	110 %	0xA	150 %
0x3	115 %	0xB	155 %
0x4	120 %	0xC	160 %
0x5	125 %	0xD	165 %
0x6	130 %	0xE	170 %
0x7	135 %	0xF	175 %
Notes	With CFGTA = 0xF Toff is 80 °C typ., with CFGTA = 0x0 Toff is 155 °C typ.		

Table 12: Calibration of Temperature Monitoring



## OPERATING MODES

In order to calibrate iC-MSA, compensate for the input signals and test iC-MSA the mode of operation must be changed. The output function changes according to the

various operating modes; the line drivers and protection against reverse polarity facility are only active in normal mode.

<b>MODE(3:0)</b>		Addr. 0x42; bit 3:0						
<b>BYP</b>		Addr. 0x4D; bit 5						
Code	Operating Mode	Pin PS	Pin NS	Pin PC	Pin NC	Pin PZ	Pin NZ	Pin ERR
0x00	Normal operation	PS	NS	PC	NC	PZ	NZ	ERR
0x01	Calibration 1	TANA0(2)	VREFI0	VREFI12	IBN	PZI	NZI	ERR
0x02	Calibration 2	PCH1	NCH1	PCH2	NCH2	—	—	—
0x03	iC-Haus Test 1	VPAH	VPD	—	CGUCK	IPF	V05	IERR
0x04	iC-Haus Test 2	PS_out	NS_out	PC_out	NC_out	PZ_out	NZ_out	IERR
0x05	iC-Haus Test 3	PS_out	NS_out	PC_out	NC_out	PZ_out	NZ_out	ERR
0x06	iC-Haus Test 4, BYP = 0 iC-Haus Test 4, BYP = 1	TANA12(0) X4	TANA12(1) X6	TANA12(2) X3	TANA12(3) X5	TANA12(4) X1	TANA12(5) X2	IERR
0x07	Calibration 3	VTs	VTth	—	—	—	—	ERR
0x08	Saturation low	SCL, SDA and ERR low						
0x09	—	—	—	—	—	—	—	—
0x0A	iC-Haus Test 5	—	—	TP	CLK6	—	—	—
0x0B	—	—	—	—	—	—	—	—
0x0C	—	—	—	—	—	—	—	—
0x0D	—	—	—	—	—	—	—	—
0x0E	IDDQ-Test	All PU/PD resistors, oscillator and supply voltage deactivated						
0x0F	—	—	—	—	—	—	—	—

Table 13: Selection of Operating Modes

### Calibration Op. Modes

In *Calibration Mode 1* the user can measure the BIAS current (IBN), input amplifier reference potential VREFI and the analog signals from channel 0 following signal conditioning (PCH0 and NCH0).

In *Calibration Mode 2* the conditioned signals from channels 1 and 2 are output (PCH1, NCH1, PCH2 and NCH2).

In *Calibration Mode 3* the internal temperature monitoring signals are provided.

### Special Device Test Functions

*IDDQ-Test*, *Saturation Low*, *Saturation High*, and *Test 1 to 5* are test modes for iC-Haus device tests. With an activated bypass (BYP = 1), mode *iC-Haus Test 4* permits the direct feedthrough of X1 - X6 input signals to the output pins; in this instance the output impedance is high-ohmic. Furthermore, if the input voltage divider is selected (by RINx = 1--1), it reduces the signal amplitudes to approx. 7/8.

### Signal Filter

iC-MSA has a noise limiting signal filter to filter the conditioned analog signals. This can be activated using ENF.

<b>ENF</b>		Adr 0x4E, bit 7
Code	Function	
0	Noise limiter deactivated	
1	Noise limiter activated	

Table 14: Signal Filtering

**TEST MODE**

iC-MSA switches to test mode if a voltage larger than VTMon is applied to pin ERR (precondition: TMODE(0) = 1). In response iC-MSA transmits its configuration settings as current-modulated data using I/O pin ERR after re-reading the EEPROM. If the voltage at pin ERR falls below VTMOFF test mode is terminated and data transmission aborted.

The clock rate for the data output is determined by ENFAST. Two clock rates can be selected: 780 ns for ENFAST = 1 or 3.125 μs for ENFAST = 0 (see Elec. Char. D08 for clock frequency and tolerances).

Data is output in Manchester code via two clock pulses per bit. To this end the lowside current source switches between a Z state (OFF = 0 mA) and an L state (ON = 2 mA).

The bit information lies in the direction of the current source switch:

Zero bit: change of state Z → L (OFF to ON)

One bit: Change of state L → Z (ON to OFF)

Transmission consists of a start bit (a one bit), 8 data bits and a pause interval in Z state (the timing is identical with an EEPROM access via the I<sup>2</sup>C interface).

Example: byte value = 1000 1010

Transmission including the start bit: 1 1000 1010

In Manchester code: LZ LZLZ LZLZ LZLZ LZLZ

Decoding of the data stream:

ZZZZZZ LZ LZ ZL ZL ZL LZ ZL LZ ZL ZZZZZZ

Pause 1 1 0 0 0 1 0 1 0 Pause

If test mode is quit with TMODE = 0x00, iC-MSA continues operation without any interruption.

If test mode is quit with TMODE > 0x00, then iC-MSA again reads out its configuration from the EEPROM ac-

cessible at the device ID filed to DEVID(6:0) of address 0x40.

In TMODE = 0x03 the EEPROM is read completely; in all other cases only the address range 0x40 to 0x61 is read to keep the configuration time for device testing short.

TMODE		Addr 0x55, bit 7:6
Code	Function during test mode	Function following test mode
00	Normal operation	Normal operation
01	Transmission of EEPROM data, address range 0x5B-0x7F and 0x00-0x3F	Repeated read out of EEPROM
10	Normal operation	Repeated read out of EEPROM
11	Transmission of EEPROM data, address range 0x40-0x7F and 0x00-0x3F	Repeated read out of EEPROM

Table 15: Test Mode Functions

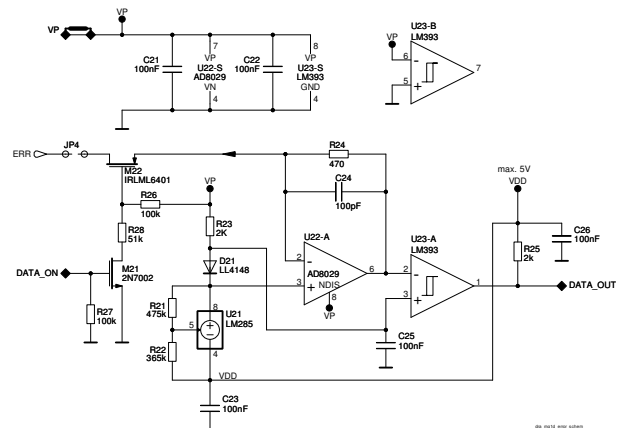


Figure 1: Example circuit for the decoding and conversion of the current-modulated signals to logic levels.

## INPUT CONFIGURATIONS

All input stages are configured as instrumentation amplifiers and thus directly suitable for differential input signals. Referenced input signals can be processed as an option; in this mode input X2 acts as a reference. Both current and voltage signals can be processed as input signals, selected using RIN12(0) and RIN0(0).

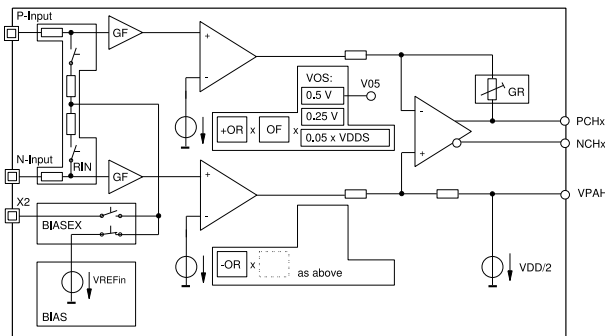


Figure 2: Signal conditioning input circuit.

### Current Signals

In I Mode an input resistor  $R_{in}()$  becomes active at each input pin, converting the current signal into a voltage signal. Input resistance  $R_{in}()$  consists of a pad wiring resistor and resistor  $R_{ui}()$  which is linked to the adjustable bias voltage source  $V_{REFin}()$ . The following table shows the possible selections, with  $R_{in}()$  giving the typical resulting input resistance (see Electrical Characteristics for tolerances).

**NB.** The input circuit is not suitable for back-to-back photodiodes.

### Voltage Signals

In V Mode an optional voltage divider can be selected which reduces unacceptably large input amplitudes to ca. 25%. The circuitry is equivalent to the resistor chain in I Mode; the pad wiring resistor is considerably larger here, however.

For sensors whose offset calibration is to be proportional to an external DC voltage source the reference source can be selected using BIASEX; for all other sensors BIASEX should be set to '00'.

INMODE	
Code	Function
0	Differential input signals
1	Single-ended input signals*
Note	* Input X2 is reference for all inputs.

Table 16: Input Signal Mode

RIN12			
RIN0			
Code	Nominal $R_{in}()$	Intern $R_{ui}()$	I/V Mode
-000	1.7 k $\Omega$	1.6 k $\Omega$	current input
-010	2.5 k $\Omega$	2.3 k $\Omega$	current input
-100	3.5 k $\Omega$	3.2 k $\Omega$	current input
-110	4.9 k $\Omega$	4.6 k $\Omega$	current input
1-1	20 k $\Omega$	5 k $\Omega$	voltage input 4:1*
0-1	high impedance	1 M $\Omega$	voltage input 1:1
Notes	For single-ended signals identical settings of RIN0 and RIN12 are required. *) $V_{REFin}$ is the voltage divider's footpoint; input currents may be positive or negative ( $V_{in} > V_{REFin}$ , or $V_{in} < V_{REFin}$ ).		

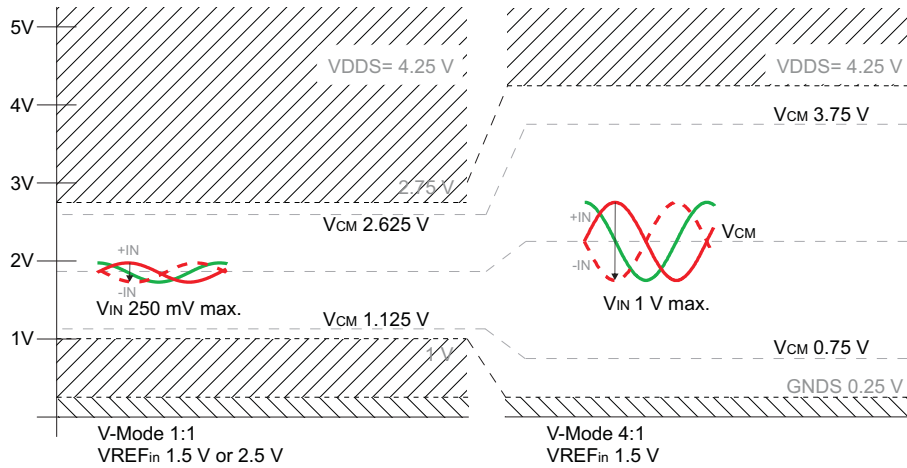
Table 17: I/V Mode and Input Resistance

BIAS12	
BIAS0	
Code	Function
0	$V_{REFin} = 2.5V$ for low-side current sinks (e.g. photodiodes with common anode at GND5)
1	$V_{REFin} = 1.5V$ for high-side current-sources (e.g. photodiodes with common cathode at VDD5) for voltage sources versus ground (e.g. iC-SM2, Wheatstone sensor bridges) for voltage sources with low-side reference (e.g. iC-LSHB, when using BIASEX = 11)

Table 18: Reference Voltage

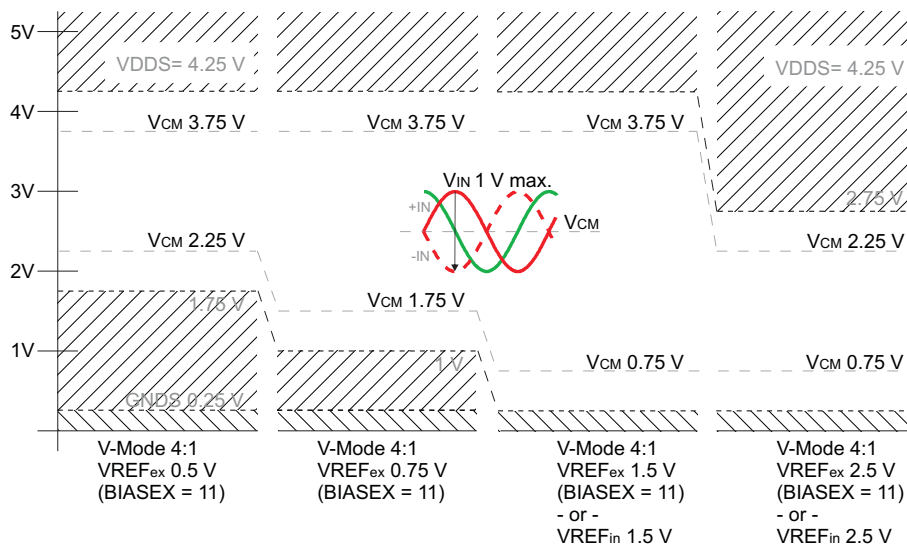
BIASEX		
Code	$V_{REFin}$	Pin function of X2
00	internal	Input Index- (negative zero signal)
10	internal	Output of $V_{REFin12}$ *
11	external	Input for external reference**: $V(X2)$ replaces $V_{REFin}$
Notes	*) Do not load, buffering recommended **) See Elec. Char. Nos. 205 and 206	

Table 19: Input Reference Selection



NB: VREF<sub>in</sub> is referenced to GNDS.

Figure 3: Permissible common mode range and maximum input signal for lowest gain (GR12 = 0x0, GF1, GF2 = 0x00); left side: voltage input 1:1, right side: voltage input 4:1.



NB: VREF<sub>ex</sub> and VREF<sub>in</sub> are referenced to GNDS.

Figure 4: Permissible common mode range for voltage input 4:1 in dependency to the reference voltage.

**SIGNAL PATH MULTIPLEXING**

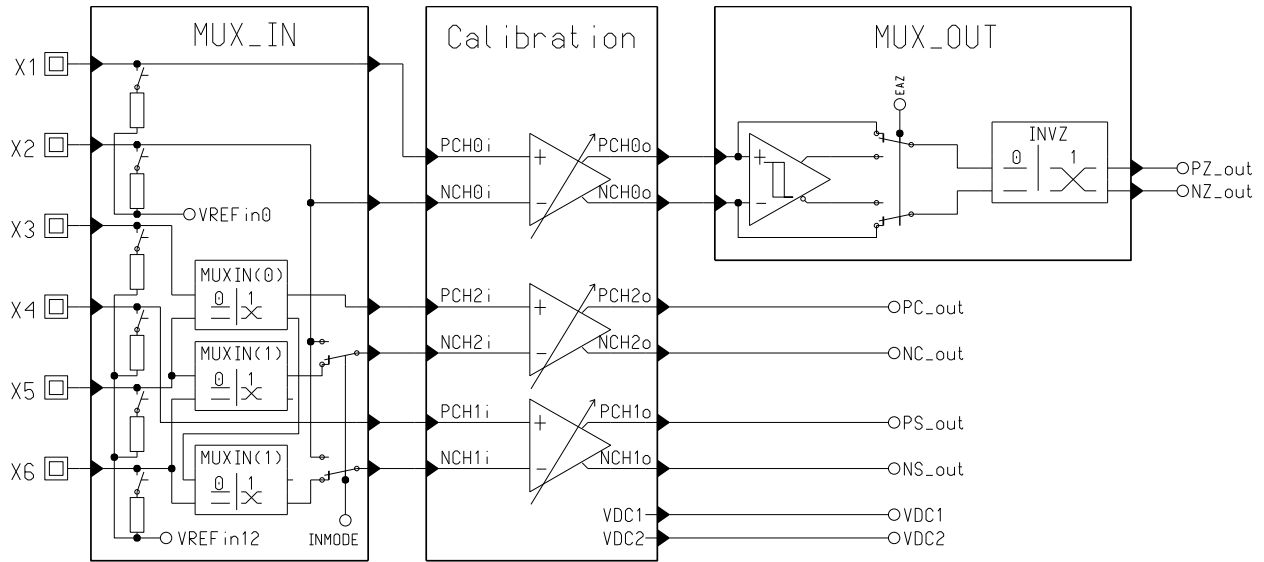


Figure 5: Multiplexer Schematics

The signals for index channel CH0 are connected up to pins X1 and X2. Pins X3 to X6 are allocated to internal channels CH1 and CH2 via MUXIN. INMODE can be activated for referenced input signals; this then selects X2 as the reference input.

MUXIN Addr 0x43, bit 1:0				
Code	PCH1i	NCH1i	PCH2i	NCH2i
00	X4	X6	X3	X5
01	X4	X6	X5	X5
10	X4	X5	X3	X6
11	X4	X3	X5	X6

Table 20: Input Multiplexer for INMODE = 0

MUXIN Addr 0x43, bit 1:0				
Code	PCH1i	NCH1i	PCH2i	NCH2i
-0	X4	X2	X3	X2
-1	X4	X2	X5	X2

Table 21: Input Multiplexer for INMODE = 1

EAZ permits the activation of an analog comparator for index channel CH0.

EAZ Addr 0x43, bit 7	
Code	Function
0	Comparator bypass
1	Comparator active

Table 22: Index Output

For output purposes INVZ allows the index signal phase to be inverted.

INVZ Addr 0x43, bit 3		
Code	PZ_out	NZ_out
0	PCH0o	NCH0o
1	NCH0o	PCH0o

Table 23: Index Signal Inversion

## SIGNAL CONDITIONING CH1, CH2

The voltage signals necessary for the conditioning of channels 1 and 2 can be measured in operation mode *Calibration 2*.

### Gain Settings CH1, CH2

The gain is set in four stages:

1. The automatic gain control is shut down (set register AGCOFF to a value of 1).
2. The gain range is selected so that the differential signal amplitude of CH1 is closest to 1 Vpp (signal Px vs. Nx, see Figure below).
3. The automatic gain control is turned on (set register AGCOFF to a value of 0) and adjust ADJ to obtain a signal amplitude of 1 Vpp for CH1.
4. The CH2 signal amplitude can then be adjusted relative to the CH1 signal amplitude via gain correction ratio GC2.

AGC gain range reserve can be checked by the value of read-only register AGCGF1 which represents the 8 most significant bits of the current automatic gain setting for channel 1.

**NB:** automatic gain control is halted during AGCGF1 readout and will continue automatically afterwards.

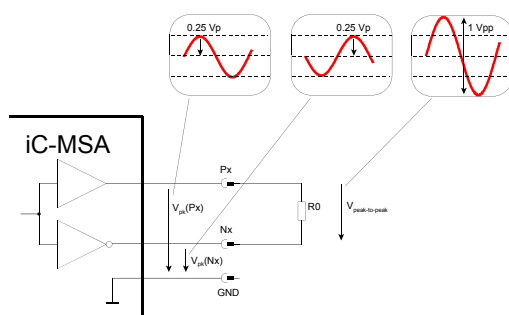


Figure 6: Definition of 1 Vpp signal. Termination R0 must be high-ohmic during all *Test* and *Calibration* modes.

GR12 Addr 0x46, bit 2:0		
Code	AGC on (AGCOFF = 0)	AGC off (AGCOFF = 1)
0x0	0.20 .. 2.77	0.75
0x1	0.34 .. 4.69	1.27
0x2	0.51 .. 7.03	1.89
0x3	0.71 .. 9.82	2.65
0x4	1.01 .. 13.8	3.73
0x5	1.28 .. 17.7	4.77
0x6	1.68 .. 23.2	6.24
0x7	2.11 .. 29.1	7.83

Table 24: Gain Range CH1, CH2 with voltage divider inputs (RIN12=0x9)

GR12 Addr 0x46, bit 2:0		
Code	AGC on (AGCOFF = 0)	AGC off (AGCOFF = 1)
0x0	0.80 .. 11.1	2.98
0x1	1.36 .. 18.8	5.06
0x2	2.04 .. 28.1	7.58
0x3	2.85 .. 39.3	10.6
0x4	4.02 .. 55.4	14.9
0x5	5.14 .. 70.8	19.1
0x6	6.73 .. 92.6	25.0
0x7	8.44 .. 116	31.3

Table 25: Gain Range CH1, CH2 (RIN12≠0x9)

GC2 Addr 0x4F, bit 7:0	
Code	Ratio
0x00	0.8292
0x01	0.8304
...	$20^{\frac{GC2-128}{2047}}$
0x80	1.00
...	$20^{\frac{GC2-128}{2047}}$
0xFE	1.2025
0xFF	1.2043

Table 26: Gain Correction Ratio CH2/CH1

AGCGF1 Addr 0x59, bit 7:0	
Value	AGC reserve
0xF0	alarm ( $\pm 0.0$ dB)
0x80	0.27 .. 3.7 ( $\pm 11.4$ dB)
0x5E...92	0.33 .. 3.0 ( $\pm 9.5$ dB)
0x4B...B4	0.50 .. 2.0 ( $\pm 6.0$ dB)
0x33...CD	0.67 .. 1.5 ( $\pm 3.5$ dB)
0x10	alarm ( $\pm 0.0$ dB)

Table 27: Minimum AGC Reserve (read only)

## Offset Calibration CH1, CH2

In order to calibrate the offset the reference source must first be selected using VOS12. Two fixed voltages and one dependent source are available for this purpose.

VOS12		Addr 0x4E, bit 5:4
Code	Type of source	
0x0	Feedback of sensor supply voltage: VDDS for supply-dependent differential voltage signals for Wheatstone sensor bridges	
0x1, 0x2	Fixed reference: V05 of 500 mV, V025 of 250 mV for single-ended or differential signals (regulated sensor or waveform generator)	
0x3	not permitted	

Table 28: Offset Reference Source CH1, CH2

The calibration range for the CH1/CH2 offset is dependent on the selected VOS12 source and is set using OR1 and OR2. Both sine and cosine signals are then calibrated using factors OF1 and OF2. The calibration target is reached when the DC fraction of the differential signals PCHx versus NCHx is zero.

OR1		Addr 0x49, bit 0; Addr 0x48, bit 7
OR2		Addr 0x4A, bit 5:4
Code	Range	
0x0	x1	
0x1	x2	
0x2	x6	
0x3	x12	

Table 29: Offset Range CH1, CH2

OF1				Addr 0x4A, bit 3:0; Addr 0x49, bit 7:1			
OF2				Addr 0x4C, bit 0; Addr 0x4B, bit 7:0; Addr 0x4A, bit 7:6			
Code	Factor	Code	Factor	Code	Factor	Code	Factor
0x000	0	0x400	0	0x000	+ 0.00098	0x401	- 0.00098
0x001	+ 0.00098	...	...	...	+ Code / 1023	...	- (Code - 1024) / 1023
0x3FF	+ 1	0x7FF	- 1				

Table 30: Offset Factors CH1, CH2

## Phase Correction CH1 vs. CH2

The phase shift between CH1 and CH2 can be adjusted using parameter PH12. Following phase calibration other calibration parameters may have to be adjusted again (those as gain ratio, intermediate potentials and offset voltages).

PH12				Addr 0x4D, bit 2:0; Addr 0x4C, bit 7:1			
Code	Correction angle	Code	Correction angle	Code	Correction angle	Code	Correction angle
0x000	0°	0x200	0°	0x000	+ 0.0204°	0x201	- 0.0204°
0x001	+ 0.0204°	...	...	...	+ 10.42° · PH12/511	...	- 10.42° · (PH12 - 512)/511
0x1FF	+ 10.42°	0x3FF	- 10.42°				

Table 31: Phase Correction CH1 vs. CH2

## SIGNAL CONDITIONING CH0

The voltage signals needed to calibrate channel 0 are available in *Calibration Mode 1*.

### Gain Settings CH0

The CH0 gain is set in the following stages:

1. Adjust CH1 and CH2.
2. Set gain range GR0 to the same value as GR12.
3. GC0 then permits fine gain ratio adjustment relative to CH1.

GR0 Addr 0x51, bit 2:0		
Code	AGC on (AGCOFF = 0)	AGC off (AGCOFF = 1)
0x0	0.20 .. 2.77	0.75
0x1	0.34 .. 4.69	1.27
0x2	0.51 .. 7.03	1.89
0x3	0.71 .. 9.82	2.65
0x4	1.01 .. 13.8	3.73
0x5	1.28 .. 17.7	4.77
0x6	1.68 .. 23.2	6.24
0x7	2.11 .. 29.1	7.83

Table 32: Gain Range CH0 with voltage divider inputs (RIN0=0x9)

GR0 Addr 0x51, bit 2:0		
Code	AGC on (AGCOFF = 0)	AGC off (AGCOFF = 1)
0x0	0.80 .. 11.1	2.98
0x1	1.36 .. 18.8	5.06
0x2	2.04 .. 28.1	7.58
0x3	2.85 .. 39.3	10.6
0x4	4.02 .. 55.4	14.9
0x5	5.14 .. 70.8	19.1
0x6	6.73 .. 92.6	25.0
0x7	8.44 .. 116	31.3

Table 33: Gain Range CH0 (RIN0≠0x9)

GC0 Addr 0x50, bit 7:0	
Code	Ratio
0x00	0.8292
0x01	0.8304
...	$20^{\frac{GC0-128}{2047}}$
0x80	1.00
...	$20^{\frac{GC0-128}{2047}}$
0xFE	1.2025
0xFF	1.2043

Table 34: Gain Correction Ratio CH0/CH1

### Offset Calibration CH0

To calibrate the offset the source of supply must first be selected using VOS0 (see Offset Calibration CH1 and CH2 for further information).

VOS0 Addr 0x53, bit 5:4	
Code	Source
0x0	0.05 · V(VDD5)
0x1	0.5 V
0x2	0.25 V
0x3	not permitted

Table 35: Offset Reference Source CH0

OR0 Addr 0x52, bit 1:0	
Code	Range
0x0	x1
0x1	x2
0x2	x6
0x3	x12

Table 36: Offset Range CH0

OF0 Addr 0x52, bit 7:2			
Code	Factor	Code	Factor
0x00	0	0x20	0
0x01	+0.0322	0x21	-0.0322
...	+OF0/31	...	-(OF0-32)/31
0x1F	+1	0x3F	-1

Table 37: Offset Factor CH0



## AUTOMATIC SIGNAL GAIN CONTROL and SIGNAL MONITORING

Via its automatic gain control iC-MSA can keep the output signals for the ensuing sine-to-digital conversion constant regardless of changes in input signal level.

Both the controller operating range and input signal amplitude for the controller are monitored and can be enabled for error messaging.

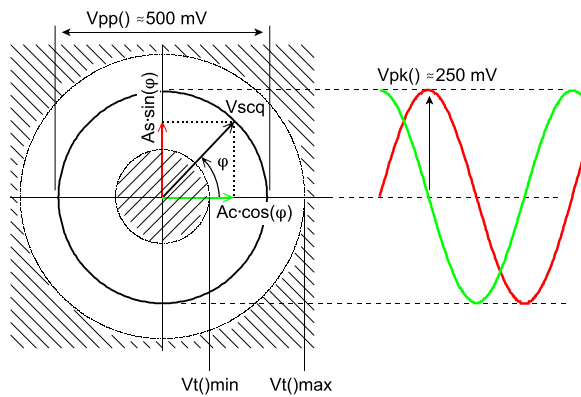


Figure 7: Signal level monitoring with square control (example for AGCOFF = 0, ADJ = 0x32; see Elec. Char. Nos.604 and 605 regarding Vt()min resp. Vt()max).

AGCOFF		Addr 0x45, bit 7
Code	Function	
0	Sine/cosine square control	
1	AGC turned off	

Table 38: Controller Operating Mode

ADJ		Addr 0x45, bit 5:0
Code	Square control AGCOFF = 0	
0x00	Vpp() ca. 300 mV (60 %)	
0x01	Vpp() ca. 305 mV (61 %)	
...	$Vpp() \approx 300 mV \frac{77}{77 - (0.625 * Code)}$	
0x32	Vpp() ca. 500 mV (98 %)	
...	...	
0x3F	Vpp() ca. 600 mV (120 %)	

Table 39: Vpp Setpoint For Square Control

## ERROR MONITORING AND ALARM OUTPUT

The following table gives the errors which can both be recognized by iC-MSA and enabled either for messaging, output shutdown or protocol in the EEPROM.

Mask EMASKA stipulates that errors should be signaled at pin ERR, mask EMASKO determines whether the line drivers are to be shutdown or not (with PDMODE defining reactivation) and mask EMASKE governs the storage of error events in the EEPROM.

Bit	Error Event
6*	Configuration error (SDA or SCL pin error, no Ack signal from EEPROM or invalid check sum); EMASKO(6) = 1 (ROM bit): The line drivers remain high impedance (tristate) when cycling power.
5	Excessive temperature warning
4	External system error
3	Control error 2: range at max. limit
2	Control error 1: range at min. limit
1	Signal error 2: clipping
0	Signal error 1: loss of signal (poor differential amplitude**, wrong s/c phase)
<b>EMASKA</b>	Error Mask Alarm Output ERR
1	Enable: event changes state of pin ERR (if EMASKO does not disable the output function).
0	Disable: event does not affect pin ERR.
<b>EMASKO</b>	Error Mask Driver Shutdown
1	Enable: event resets pin ACO to the 5 mA range, tristates the line driver outputs and pin ERR (i.e. low-active error messages can not be displayed)
0	Disable: output functions remain active
<b>EMASKE</b>	Error Mask EEPROM Savings
1	Enable: event will be latched
0	Disable: event will not be latched
Notes	*) Pin ERR can not pull low on configuration error, use high-active error logic instead (EPH = 1); **) Also due to excessive input signals or internal signal clipping.

Table 40: Error Masking

### Alarm Output: I/O pin ERR

Pin ERR is operated by a current-limited open-drain output driver and has an internal pull-up which can be disabled. The output logic (low or high active) is configured by EPH, and the minimum indication time by EMTD.

Pin ERR also acts as an input for error messages of the external system. This function requires EPH = 0 and an external error being low active. Pin ERR can

also switch iC-MSB to test mode, for which a voltage of larger than VTMon must be applied (see page 18).

EPH Addr 0x55, bit 2		
Code	State with error	State w/o error
0*	active low	high impedance (evaluation of low active external system error)
1	high impedance (or optional pull-up)	active low
Note	*) Pin ERR is disabled during driver shutdown and cannot indicate errors in this case.	

Table 41: I/O Logic, Alarm Output ERR

EMTD Addr 0x55, bit 5:3			
Code	Indication Time	Code	Indication Time
0x0	0 ms	0x4	50 ms
0x1	12.5 ms	0x5	62.5 ms
0x2	25 ms	0x6	75 ms
0x3	37.5 ms	0x7	87.5 ms

Table 42: Min. Indication Time, Alarm Output ERR

EPU Addr 0x57, bit 2	
Code	Function
0	No internal pull-up
1	Internal 300 $\mu$ A pull-up current source active

Table 43: Pull-Up Enable, Alarm Output ERR

### Excessive Temperature Warning

Exceeding the temperature warning threshold  $T_w$  (corresponds to  $T_2$ , refer to Temperature Sensor, page 16) can be signaled at pin ERR or used to shut down the line drivers (via mask EMASKO). The temperature warning is cleared when the temperature falls below  $T_w - T_{hys}$ .

**Notice:** If the temperature shutdown threshold  $T_{off} = T_w + \Delta T$  is exceeded, the line drivers are shut down independently of EMASKO. For  $\Delta T$  refer to Elec. Char. E06.

### Driver Shutdown

PDMODE Addr 0x58, bit 6	
Code	Function
0	Line driver active when no error persists
1	Line driver active after power-on

Table 44: Driver Activation

### Error Protocol

Out of the errors pinpointed by EMASKE both the first (under ERR1) and last error (under ERR2) which occur after the iC-MSA is turned on are stored in the EEPROM.

The EEPROM also has a memory area in which all occurring errors can be stored (ERR3). Only the fact that an error has occurred can be recorded, with no information as to the time and frequency of that error given. The EEPROM memory can be used to statistically evaluate the causes of system failure, for example.

<b>ERR1</b>	Addr 0x60, bit 6:0
<b>ERR2</b>	Addr 0x62, bit 0; Addr 0x61, bit 7:2
<b>ERR3</b>	Addr 0x63, bit 2:0; Addr 0x62, bit 7:4
Bit	Error Event
6:0	Assignment according to EMASKE
Code	Function
0	No event
1	Registered error event

Table 45: Error Protocol

### REVERSE POLARITY PROTECTION

The line drivers in iC-MSA are protected against reverse polarity and short-circuiting. A defective device cable or one wrongly connected cause damage neither to iC-MSA nor to the components protected against reverse polarity by VDDS and GNDS. The following

pins are also reverse polarity protected: PC, NC, PS, NS, PZ, NZ, ERR, VDD, and GND (as long as GNDS is only loaded versus VDDS). The maximum voltage difference between the pins should not be greater than 6 V, the exception here being pin ERR.

**APPLICATION HINTS**

**PLC Operation**

There are PLCs with a remote sense supply which require longer for the voltage regulation to settle. At the same time the PLC inputs can have high-impedance resistances versus an internal, negative supply voltage which define the input potential for open inputs.

In this instance iC-MSA's reverse polarity protection feature can be activated as the outputs are tristate during the start phase and the resistances in the PLC determine the pin potential. During the start phase neither the supply VDD nor the output pins, which are also monitored, must fall to below ground potential (pin GND); otherwise the device is not configured and the outputs remain permanently set to tristate.

In order to ensure that iC-MSA starts with the PLCs mentioned above pull-up resistors can be used in the encoder. Values of 100 kΩ are usually sufficient; it is, however, recommended that PLC specifications be specifically referred to here.

**Connecting MR sensor bridges for safety-related applications**

For safety-related applications iC-MSA requires an external overvoltage protection of supply VDD (Zener diode with fuse, for instance) and external pull-down resistors at the inputs X3 to X6 towards GNDS (of up to 100 kΩ).

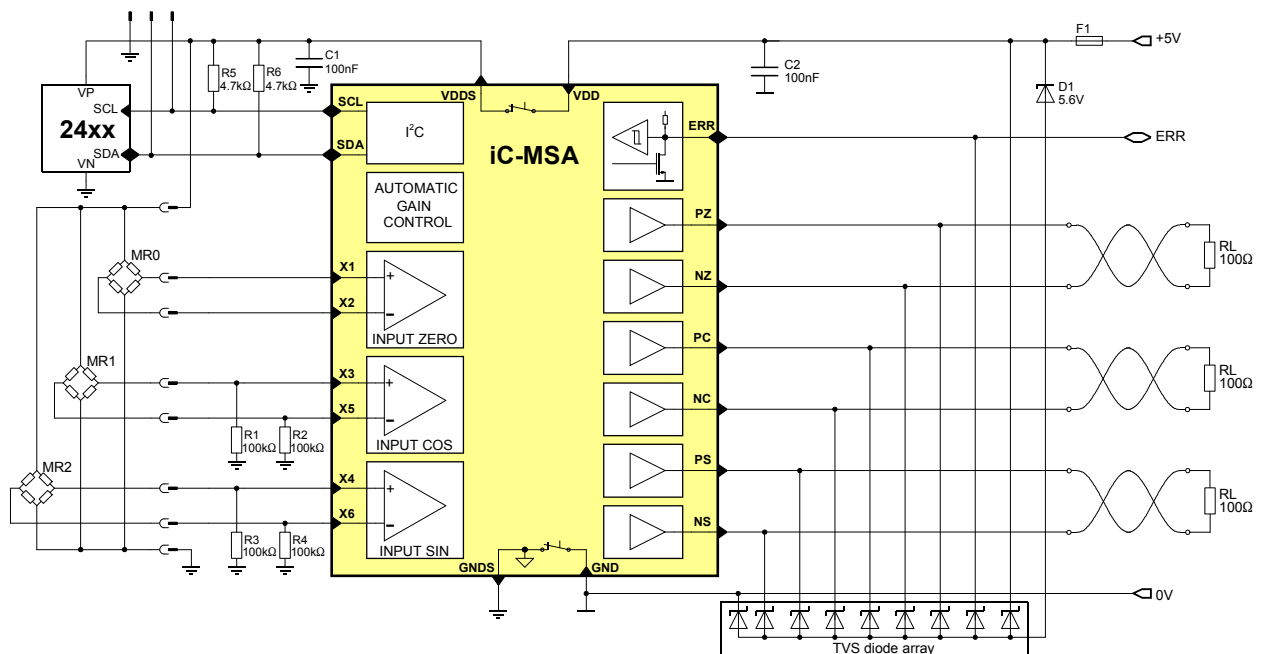


Figure 8: Example circuit for safety-related applications with iC-MSA.

# iC-MSA SIN/COS SIGNAL CONDITIONER with AGC and 1Vpp DRIVER



Rev A2, Page 29/31

## Motor feedback encoder with iC-MSA, iC-MSB and single EEPROM

In this application iC-MSB is fed with typically 2048 CPR sine and cosine signals, and an index signal. A constant signal level is achieved by controlling the sensor's LED current. iC-MSA is utilized to provide C/D commutation signals, typically with 1 CPR, at a constant amplitude. At higher rotation speed the sine/cosine amplifier cut-off-frequency is exceeded and iC-MSB increases the LED current. In order to keep the low frequency signals of C/D constant, iC-MSA automatically reduces the gain.

iC-MSA and iC-MSB are multi-master I<sup>2</sup>C capable and feature non-overlapping configuration register addresses. Thus, both devices can share a single EEPROM providing individual configuration data.

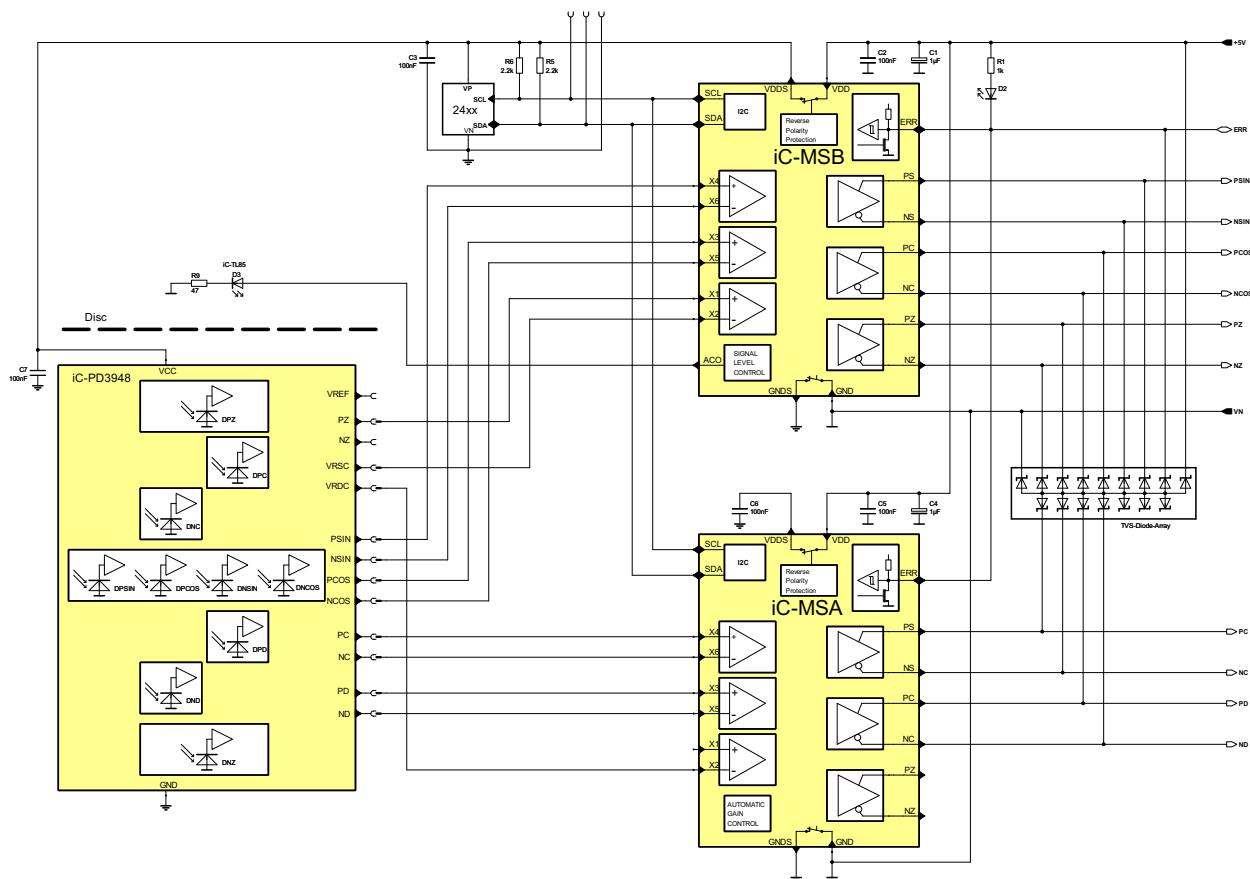


Figure 9: Example circuit with iC-MSA, iC-MSB and single EEPROM.

# iC-MSA SIN/COS SIGNAL CONDITIONER with AGC and 1Vpp DRIVER



Rev A2, Page 30/31

## REVISION HISTORY

Rel.	Rel. Date*	Chapter	Modification	Page
A1	2013-09-17	...	Initial release	all

Rel.	Rel. Date*	Chapter	Modification	Page
A2	2019-01-30	PACKAGING INFORMATION	Figure pin configuration and footnote updated, TSSOP20-TP dimension drawing added	4ff
		OVERVIEW	Note added on DEVID	13
		ERROR MONITORING AND ALARM OUTPUT	Alarm output: description improved, Table 41: description updated	26
		ORDERING INFORMATION	Section updated, evaluation board added	31

iC-Haus expressly reserves the right to change its products and/or specifications. An Infoletter gives details as to any amendments and additions made to the relevant current specifications on our internet website [www.ichaus.com/infoletter](http://www.ichaus.com/infoletter) and is automatically generated and shall be sent to registered users by email. Copying – even as an excerpt – is only permitted with iC-Haus' approval in writing and precise reference to source.

The data specified is intended solely for the purpose of product description and shall represent the usual quality of the product. In case the specifications contain obvious mistakes e.g. in writing or calculation, iC-Haus reserves the right to correct the specification and no liability arises insofar that the specification was from a third party view obviously not reliable. There shall be no claims based on defects as to quality in cases of insignificant deviations from the specifications or in case of only minor impairment of usability.

No representations or warranties, either expressed or implied, of merchantability, fitness for a particular purpose or of any other nature are made hereunder with respect to information/specification or the products to which information refers and no guarantee with respect to compliance to the intended use is given. In particular, this also applies to the stated possible applications or areas of applications of the product.

iC-Haus products are not designed for and must not be used in connection with any applications where the failure of such products would reasonably be expected to result in significant personal injury or death (*Safety-Critical Applications*) without iC-Haus' specific written consent. Safety-Critical Applications include, without limitation, life support devices and systems. iC-Haus products are not designed nor intended for use in military or aerospace applications or environments or in automotive applications unless specifically designated for such use by iC-Haus.

iC-Haus conveys no patent, copyright, mask work right or other trade mark right to this product. iC-Haus assumes no liability for any patent and/or other trade mark rights of a third party resulting from processing or handling of the product and/or any other use of the product.

Software and its documentation is provided by iC-Haus GmbH or contributors "AS IS" and is subject to the ZVEI General Conditions for the Supply of Products and Services with iC-Haus amendments and the ZVEI Software clause with iC-Haus amendments ([www.ichaus.com/EULA](http://www.ichaus.com/EULA)).

\* Release Date format: YYYY-MM-DD

**iC-MSA** SIN/COS SIGNAL  
CONDITIONER with AGC and 1Vpp DRIVER



Rev A2, Page 31/31

**ORDERING INFORMATION**

Type	Package	Options	Order Designation
iC-MSA	TSSOP20-TP RoHS compliant	Thermal pad; Temperature range -40 °C to +115 °C	iC-MSA TSSOP20-TP
Evaluation Board			iC-MSA EVAL MSA1D

Please send your purchase orders to our order handling team:

**Fax: +49 (0) 61 35 - 92 92 - 692**

**E-Mail: [dispo@ichaus.com](mailto:dispo@ichaus.com)**

For technical support, information about prices and terms of delivery please contact:

**iC-Haus GmbH**  
**Am Kuemmerling 18**  
**D-55294 Bodenheim**  
**GERMANY**

**Tel.: +49 (0) 61 35 - 92 92 - 0**  
**Fax: +49 (0) 61 35 - 92 92 - 192**  
**Web: <http://www.ichaus.com>**  
**E-Mail: [sales@ichaus.com](mailto:sales@ichaus.com)**

**Appointed local distributors: [http://www.ichaus.com/sales\\_partners](http://www.ichaus.com/sales_partners)**