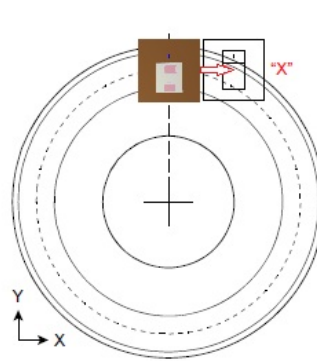
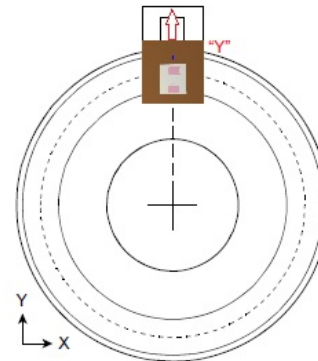


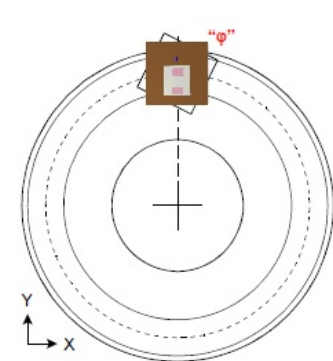
iC-PR Series



Tangential (X): ± 0.5 mm

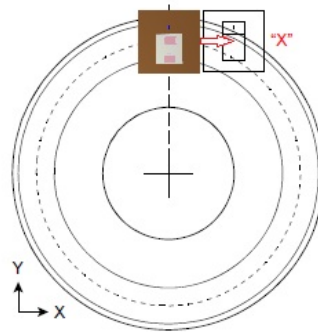


Radial (Y): ± 0.20 mm

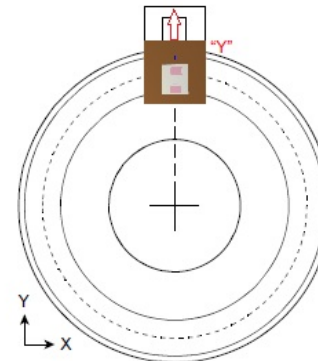


Tilt (φ): $\pm 2^\circ$

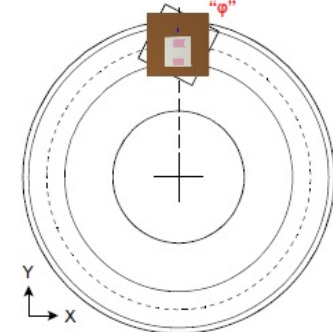
iC-PX Series



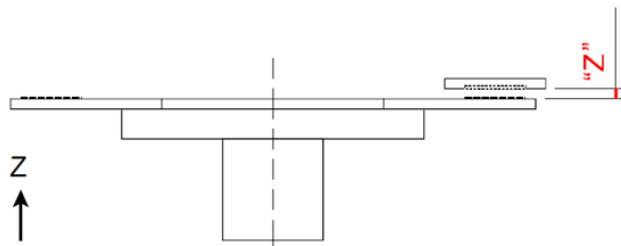
Tangential (X): ± 0.5 mm



Radial (Y): ± 0.50 mm



Tilt (φ): $\pm 2^\circ$



Airgap (Z): 1 mm to 3 mm
recommended: 1.5mm